

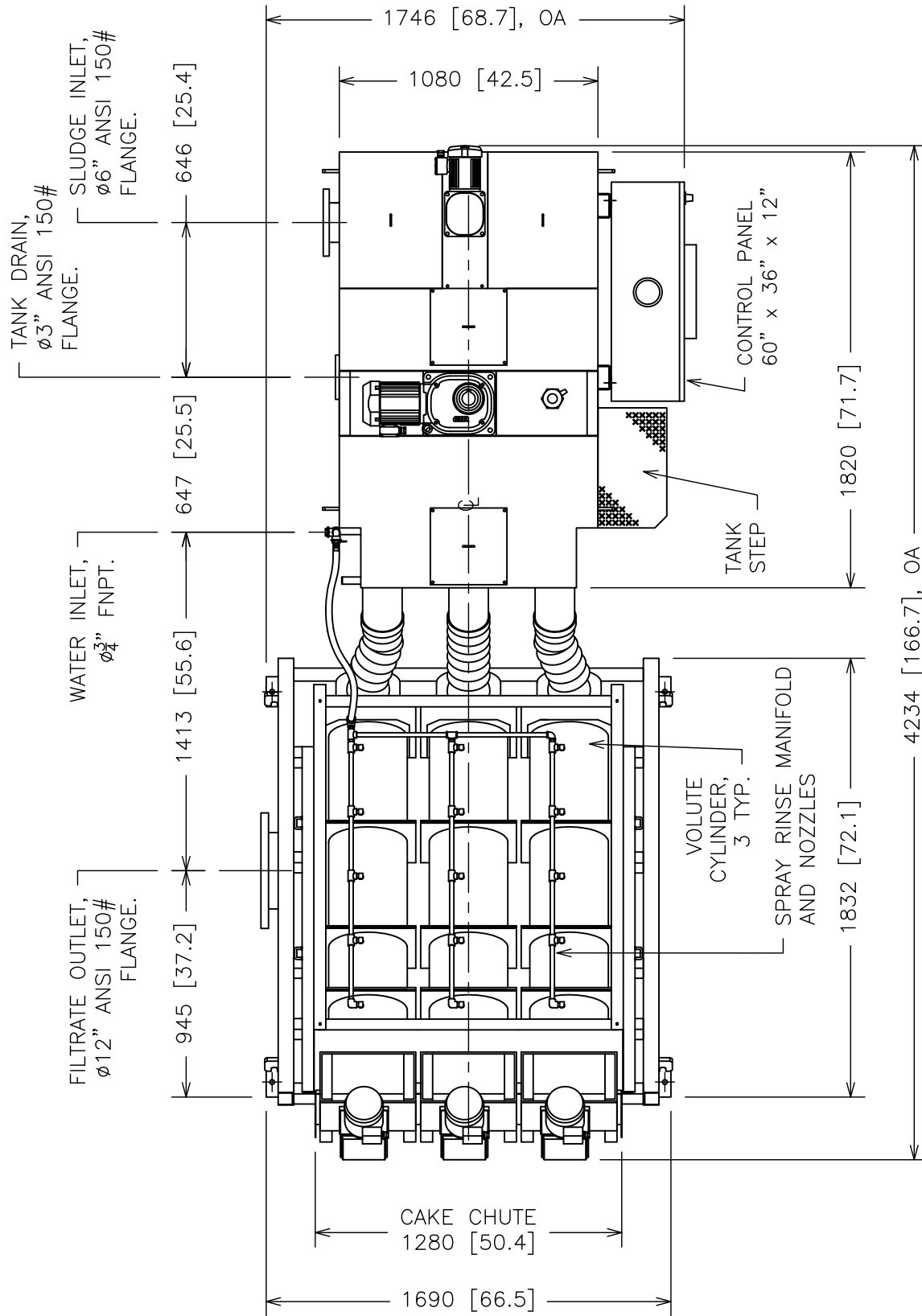
DIMENSIONS: MM [INCHES]

SIDE ELEVATION VIEW



VOLUTE THICKENER
VT303 GA DRAWING
ELEVATION VIEW

JOB# PWT VT303 GA	SCALE
DATE 15 APR. 2016	NTS
DRAWN PWTech Inc.	SHEET
APPROV. ALEX DAVEY	1 OF 4



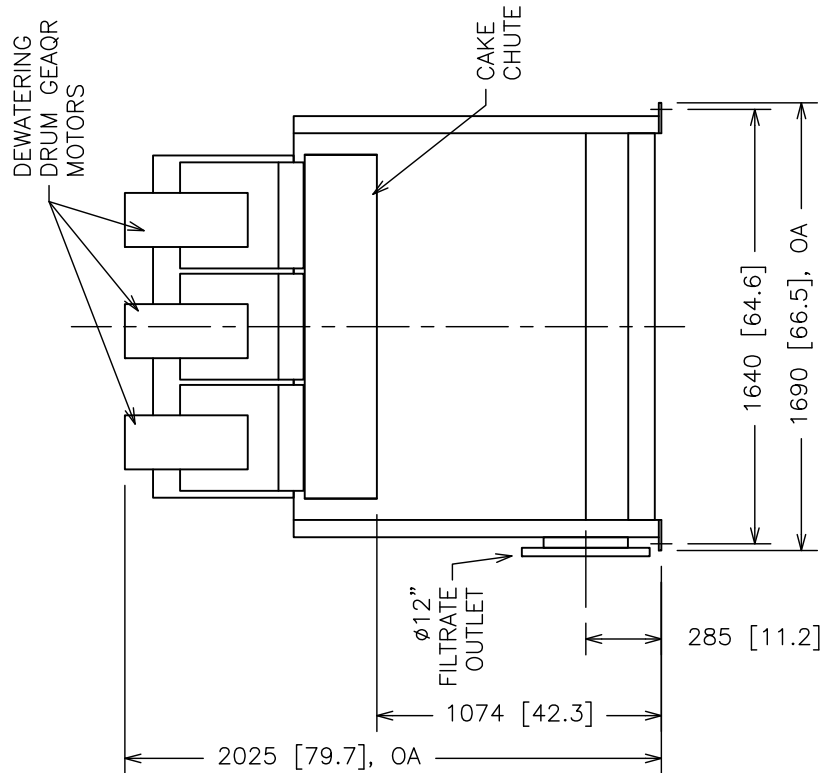
PLAN VIEW

DIMENSIONS: MM [INCHES]

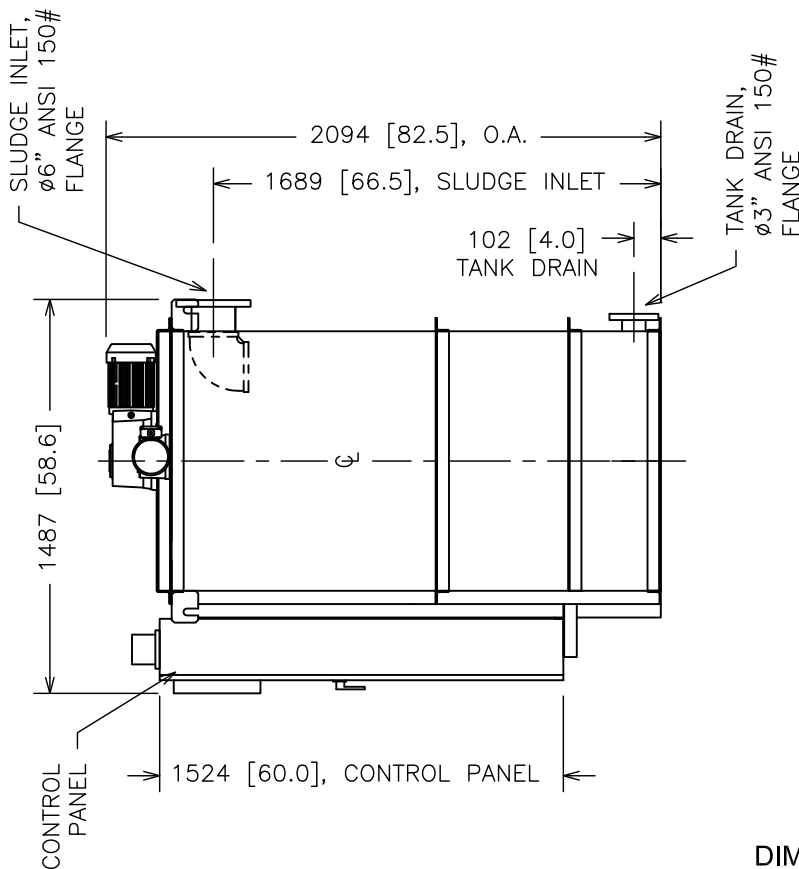


VOLUTE THICKENER
 VT303 GA DRAWING
 PLAN VIEW

JOB# PWT VT303 GA	SCALE
DATE 15 APR. 2016	NTS
DRAWN PWTech Inc.	SHEET
APPROV. ALEX DAVEY	2 OF 4



PRESS END ELEVATION



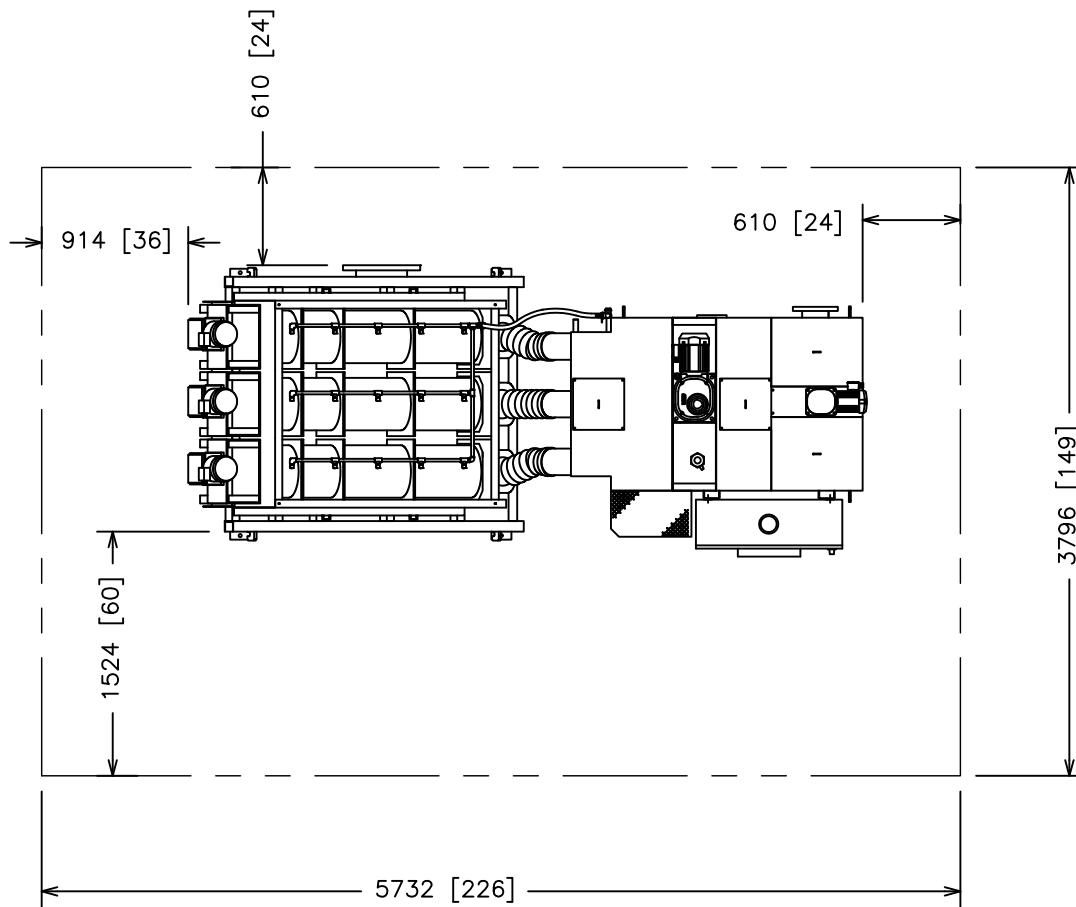
TANK END ELEVATION

DIMENSIONS: MM [INCHES]



VOLUTE THICKENER
VT303 GA DRAWING
END ELEVATIONS

JOB# PWT VT303 GA	SCALE
DATE 15 APR. 2016	NTS
DRAWN PWTech Inc.	SHEET
APPROV. ALEX DAVEY	3 OF 4



RECOMMENDED SPACE

DIMENSIONS: MM [INCHES]



VOLUTE THICKENER
VT303 GA DRAWING
REC. SPACE

JOB# PWT VT303 GA

DATE 15 APR. 2016

DRAWN PWTech Inc.

APPROV. ALEX DAVEY

SCALE

NTS

SHEET

3 OF 4