

DIMENSIONS: MM [INCHES]

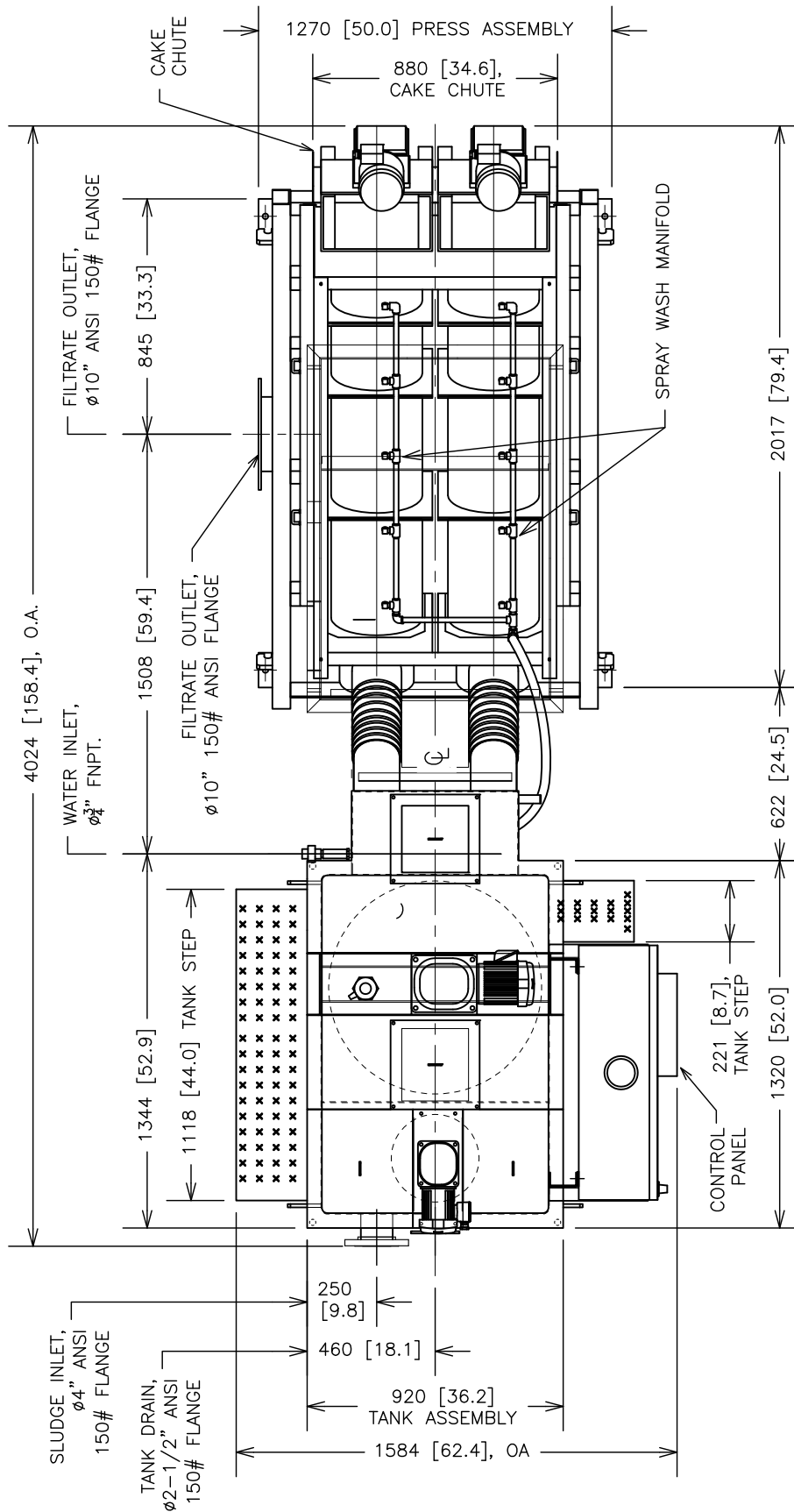
SIDE ELEVATION VIEW

\*\*ALL METAL COMPONENTS ARE STAINLESS STEEL



VOLUTE THICKENER  
VT302 GA  
ELEVATION VIEW

JOB# PWT VT302	SCALE
DATE JUNE, 2017	NTS
DRAWN PWTech LLC.	SHEET
APPROV. ALEX DAVEY	1 OF 4



DIMENSIONS: MM [INCHES]

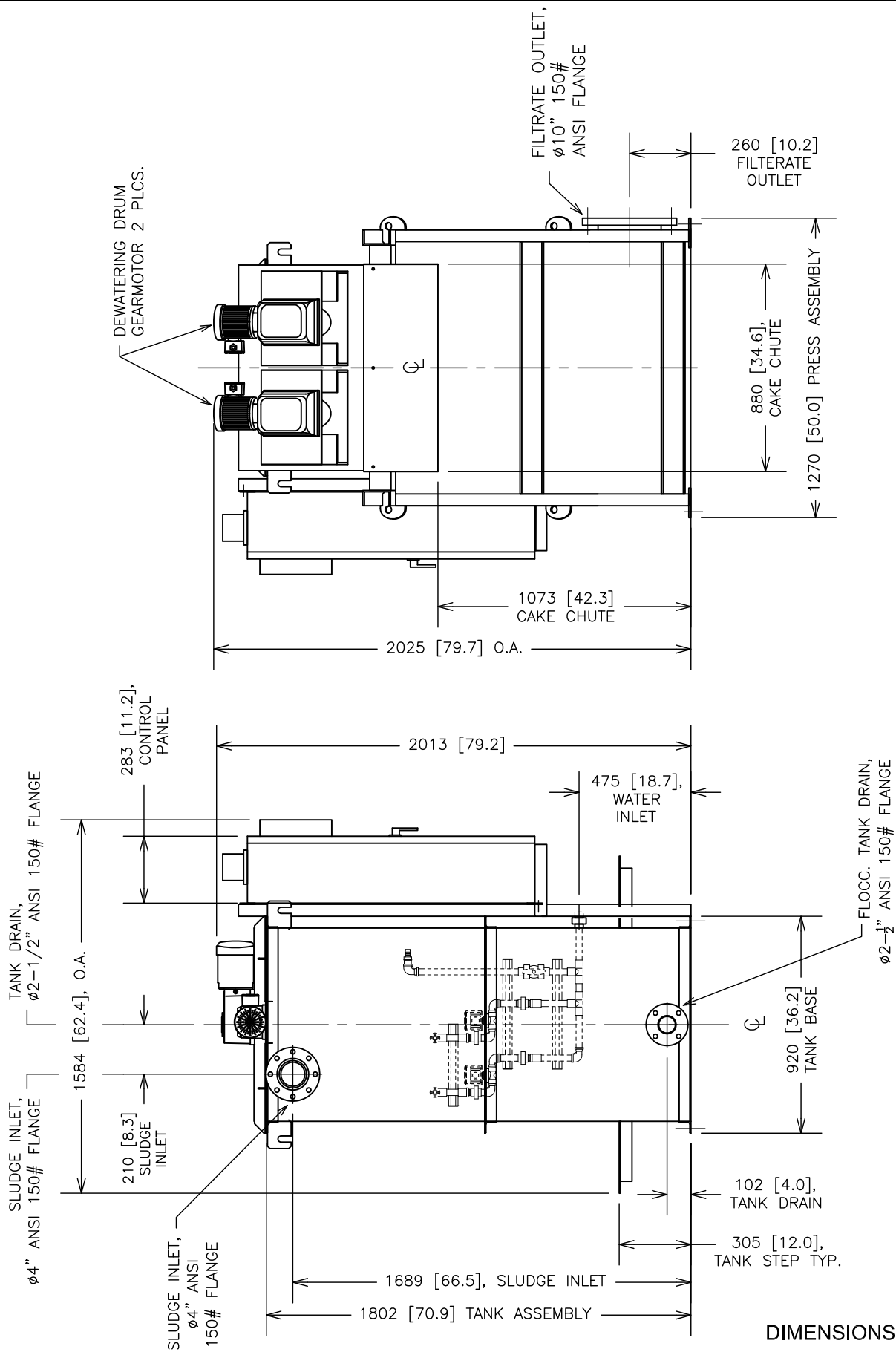
PLAN VIEW

\*\*ALL METAL COMPONENTS ARE STAINLESS STEEL



VOLUTE THICKENER  
VT302 GA  
PLAN VIEW

JOB# PWT VT302	SCALE
DATE JUNE, 2017	NTS
DRAWN PWTech LLC.	SHEET
APPROV. ALEX DAVEY	2 OF 4

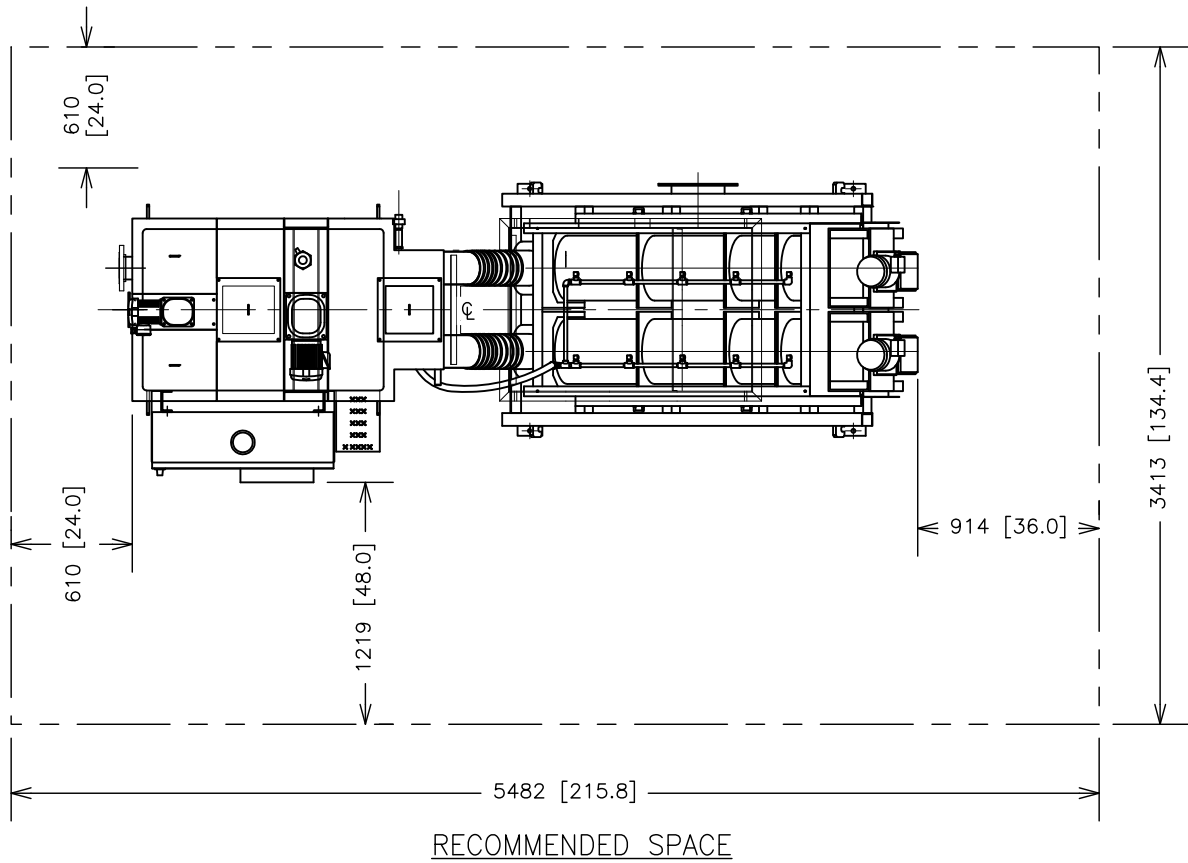


\*\*ALL METAL COMPONENTS ARE STAINLESS STEEL

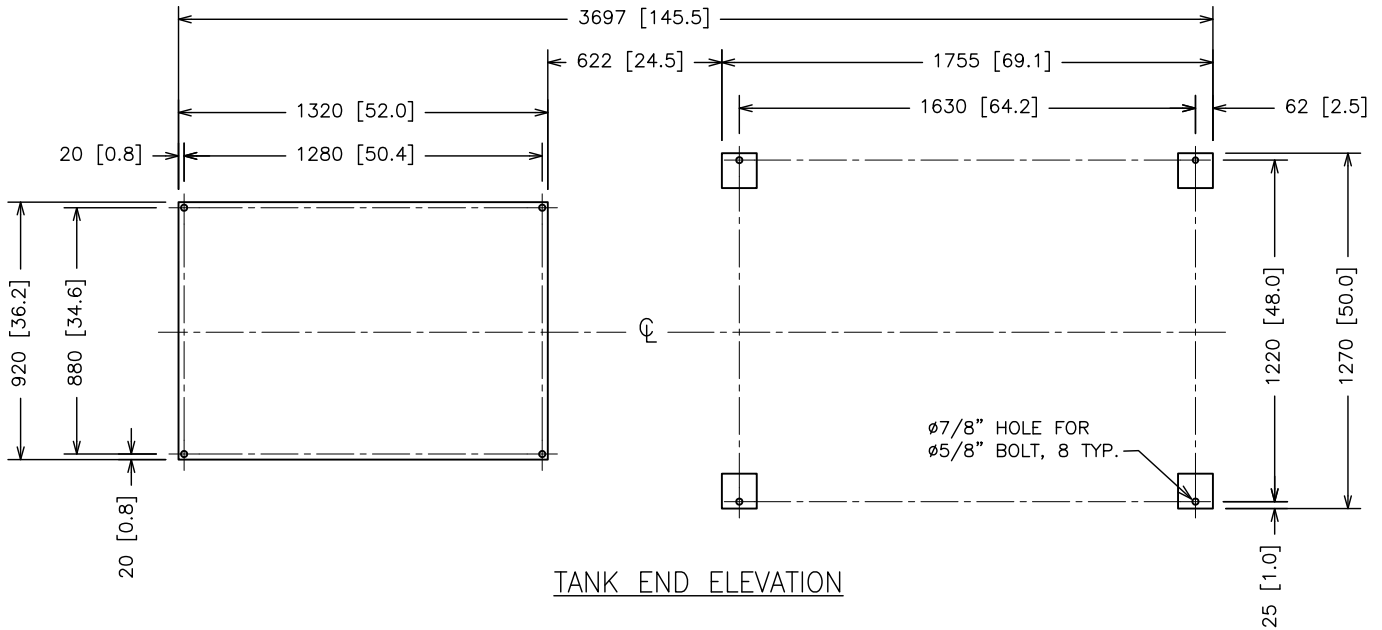


**VOLUTE THICKENER  
VT302 GA  
PLAN VIEW**

JOB# PWT VT302	SCALE
DATE JUNE, 2017	NTS
DRAWN PWTech LLC.	SHEET
APPROV. ALEX DAVEY	3 OF 4



\*\*ALL METAL COMPONENTS ARE STAINLESS STEEL



DIMENSIONS: MM [INCHES]



**VOLUTE THICKENER  
VT302 GA  
ANCHOR POINTS & REC. SPACE**

JOB# PWT VT302	SCALE
DATE JUNE, 2017	NTS
DRAWN PWTech LLC.	SHEET
APPROV. ALEX DAVEY	4 OF 4