

SIDE ELEVATION VIEW

DIMENSIONS: MM [INCHES]

**ALL METAL COMPONENTS ARE STAINLESS STEEL



VOLUTE THICKENER
VT301
ELEVATION VIEW

JOB# PWT VT301

DATE SEPT. 2017

DRAWN PWTech Inc.

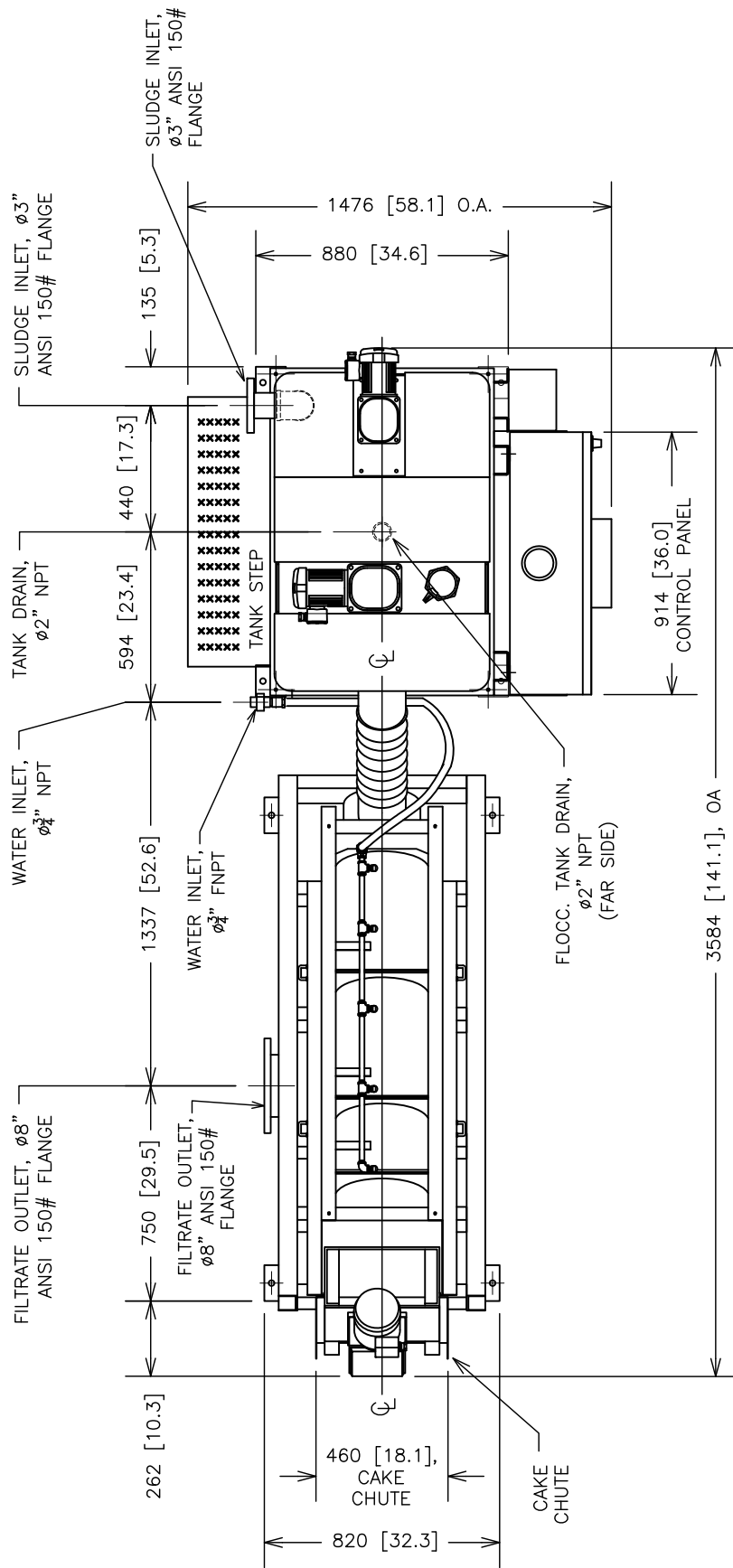
APPROV. ALEX DAVEY

SCALE

NTS

SHEET

1 OF 3



DIMENSIONS: MM [INCHES]

PLAN VIEW

**ALL METAL COMPONENTS ARE STAINLESS STEEL



VOLUTE THICKENER
VT301
PLAN VIEW

JOB# PWT VT301

DATE SEPT. 2017

DRAWN PWTech Inc.

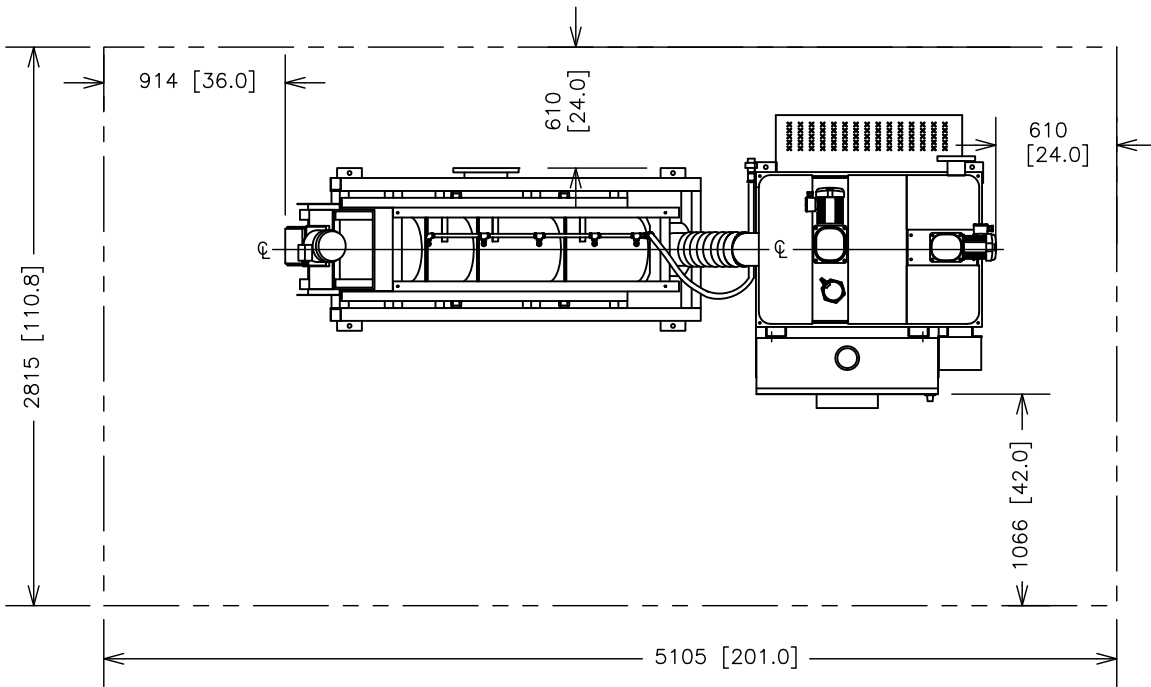
APPROV. ALEX DAVEY

SCALE

NTS

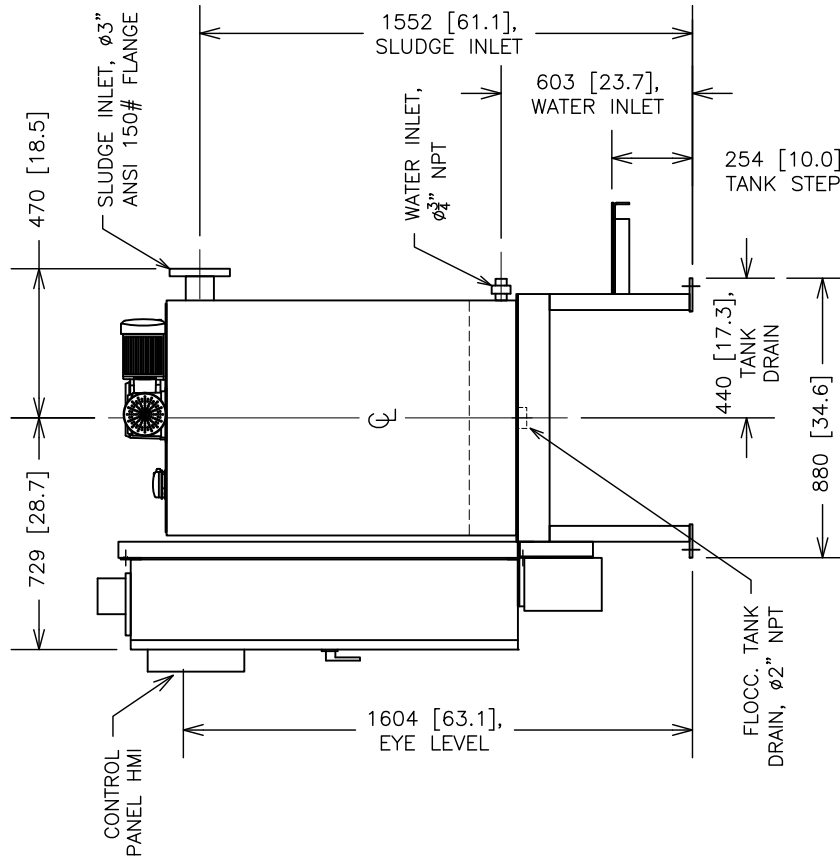
SHEET

2 OF 3



RECOMMENDED SPACE

**ALL METAL COMPONENTS ARE STAINLESS STEEL



TANK END ELEVATION

DIMENSIONS: MM [INCHES]



VOLUTE THICKENER
VT301
END ELEVATION & REC. SPACE

JOB# PWT VT301	SCALE
DATE SEPT. 2017	NTS
DRAWN PWTech Inc.	SHEET
APPROV. ALEX DAVEY	3 OF 3