

SIDE ELEVATION

**ALL METAL COMPONENTS ARE STAINLESS STEEL

DIMENSIONS: MM [INCHES]



VOLUTE THICKNER
VT202 GA
ELEVATION

JOB# PWT VT202 GA

DATE SEPT. 2017

DRAWN PWTech LLC.

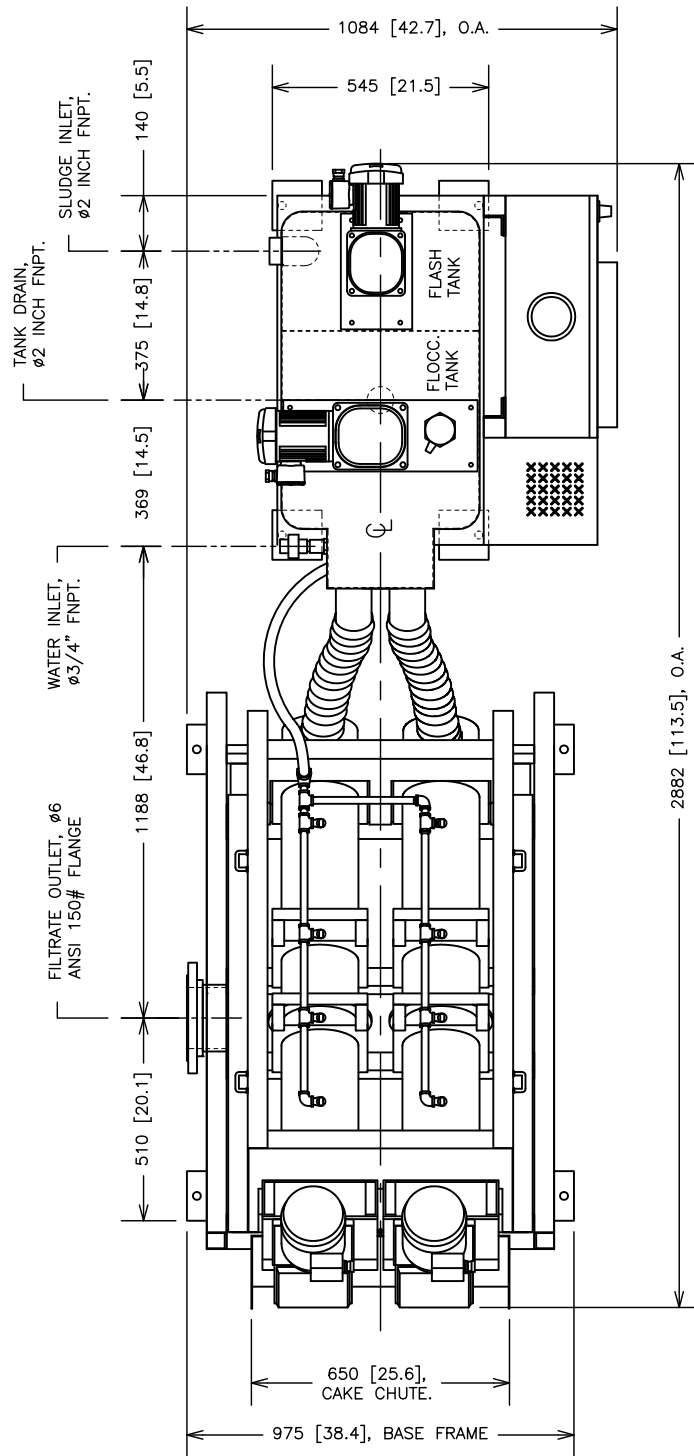
APPROV. ALEX DAVEY

SCALE

NTS

SHEET

1 OF 4



PLAN VIEW

**ALL METAL COMPONENTS ARE STAINLESS STEEL

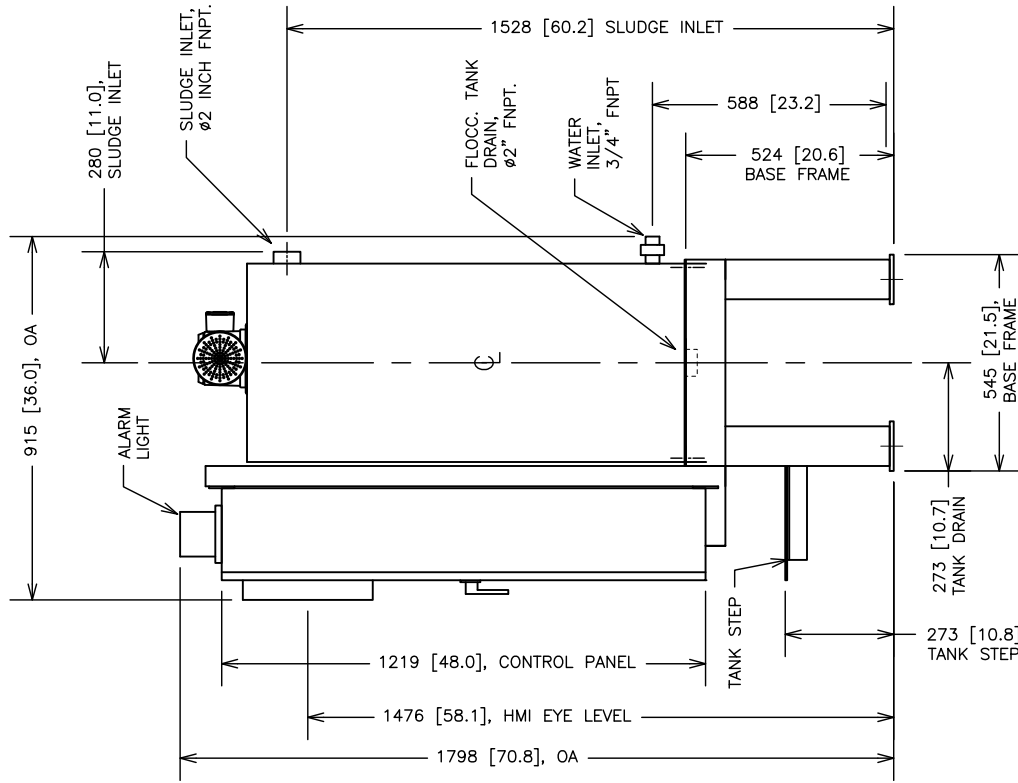
DIMENSIONS: MM [INCHES]



VOLUTE THICKNER
VT202 GA
PLAN

JOB# PWT VT202 GA	SCALE
DATE SEPT. 2017	NTS
DRAWN PWTech LLC.	SHEET
APPROV. ALEX DAVEY	2 OF 4

**ALL METAL COMPONENTS ARE STAINLESS STEEL



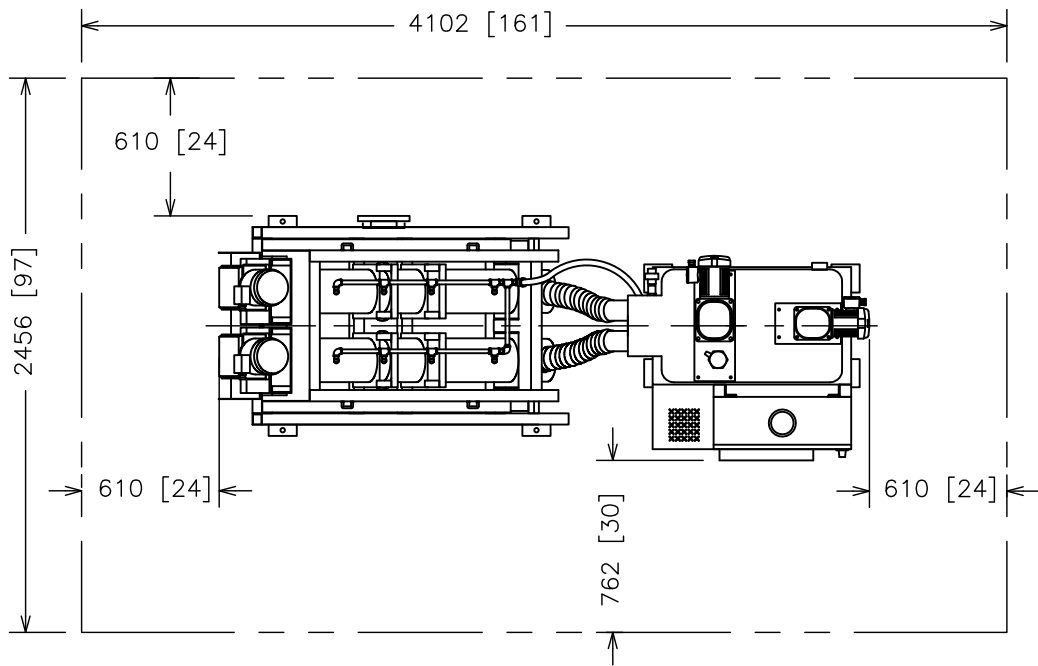
TANK END ELEVATION

DIMENSIONS: MM [INCHES]



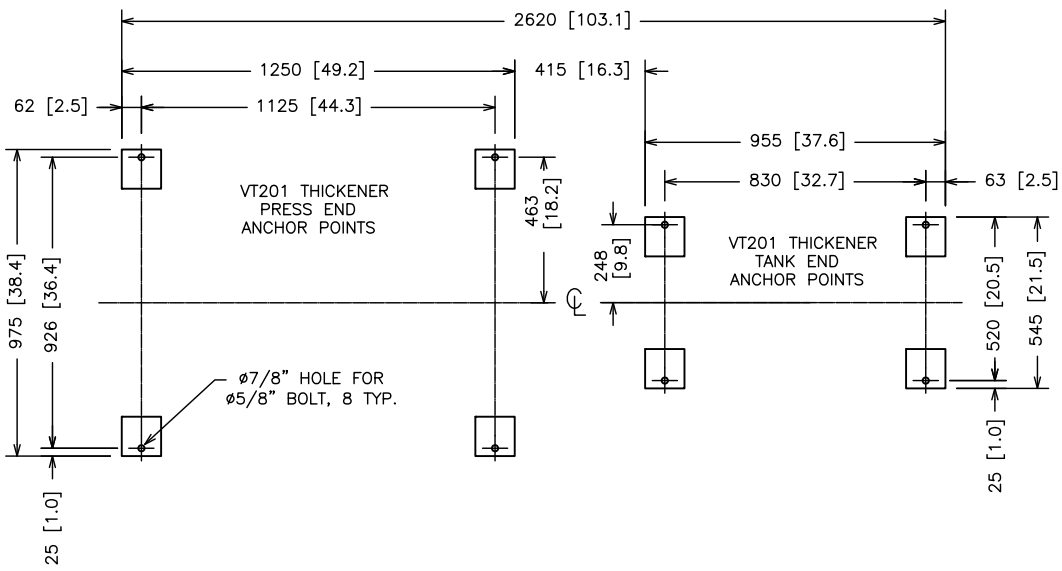
VOLUTE THICKNER
VT202 GA
TANK END ELEV.

JOB# PWT VT202 GA	SCALE
DATE SEPT. 2017	NTS
DRAWN PWTech LLC.	SHEET
APPROV. ALEX DAVEY	3 OF 4



RECOMMENDED SPACE

**ALL METAL COMPONENTS ARE STAINLESS STEEL



FOOTPRINT AND ANCHOR POINTS

DIMENSIONS: MM [INCHES]



VOLUTE THICKNER
VT202 GA
ANCHOR PTS. & REC. SPACE

JOB# PWT VT202 GA	SCALE
DATE SEPT. 2017	NTS
DRAWN PWTech LLC.	SHEET
APPROV. ALEX DAVEY	4 OF 4