

DIMENSIONS: MM [INCHES]

**ALL METAL COMPONENTS ARE STAINLESS STEEL

SIDE ELEVATION



VOLUTE THICKNER
VT201 GA
ELEVATION

JOB# PWT VT201 GA

DATE JAN. 2017

DRAWN PWTech LLC.

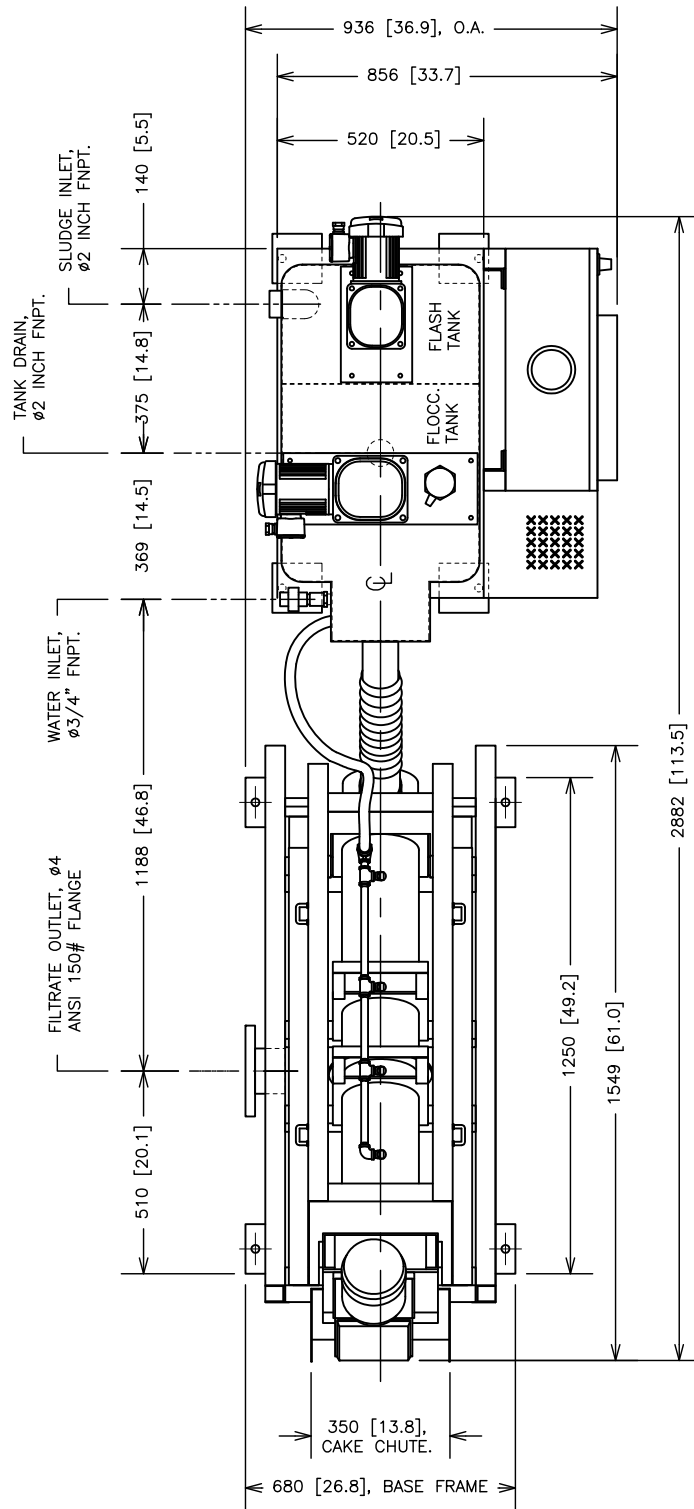
APPROV. ALEX DAVEY

SCALE

NTS

SHEET

1 OF 4



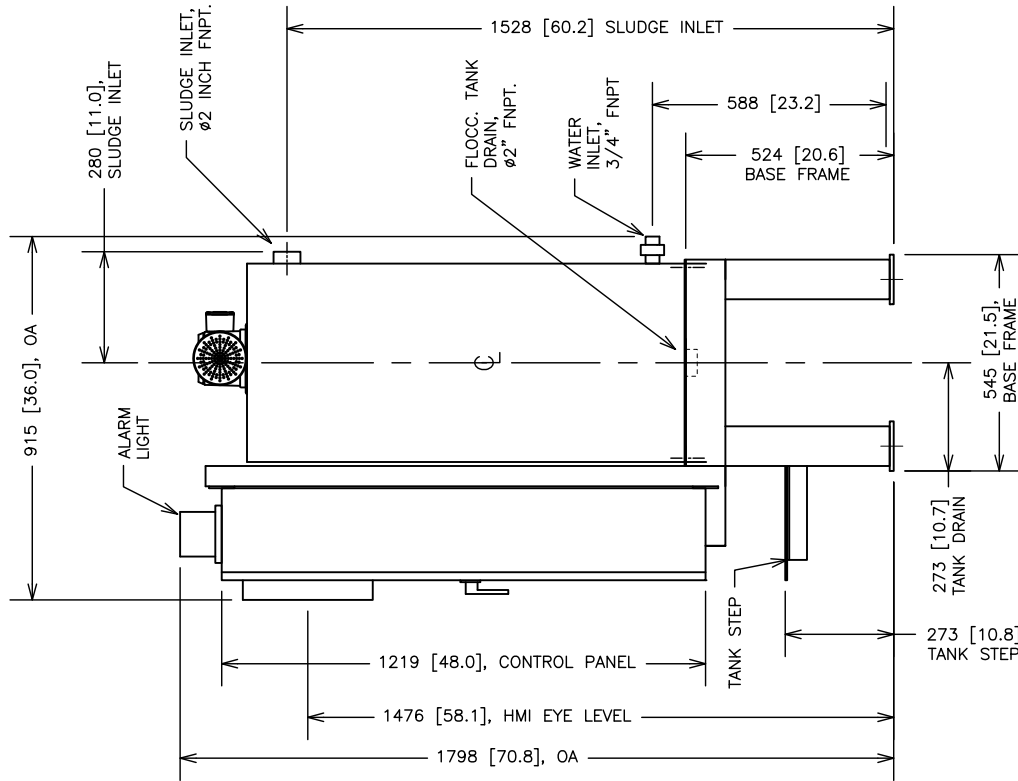
PLAN VIEW

DIMENSIONS: MM [INCHES]



VOLUTE THICKNER
VT201 GA
PLAN

JOB# PWT VT201 GA	SCALE
DATE JAN. 2017	NTS
DRAWN PWTech LLC.	SHEET
APPROV. ALEX DAVEY	2 OF 4



TANK END ELEVATION

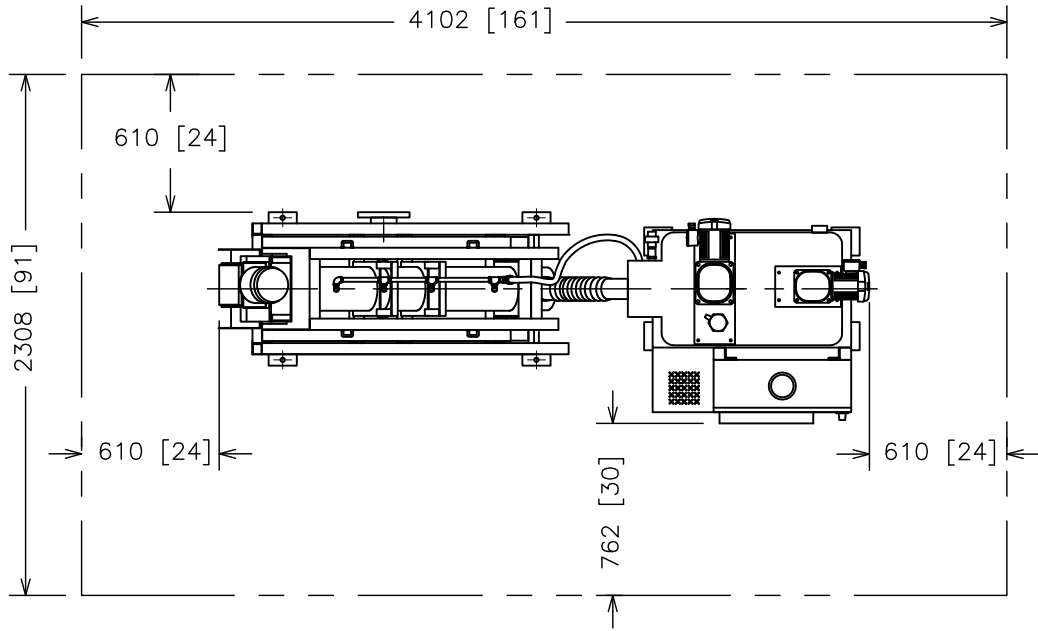
**ALL METAL COMPONENTS ARE STAINLESS STEEL

DIMENSIONS: MM [INCHES]



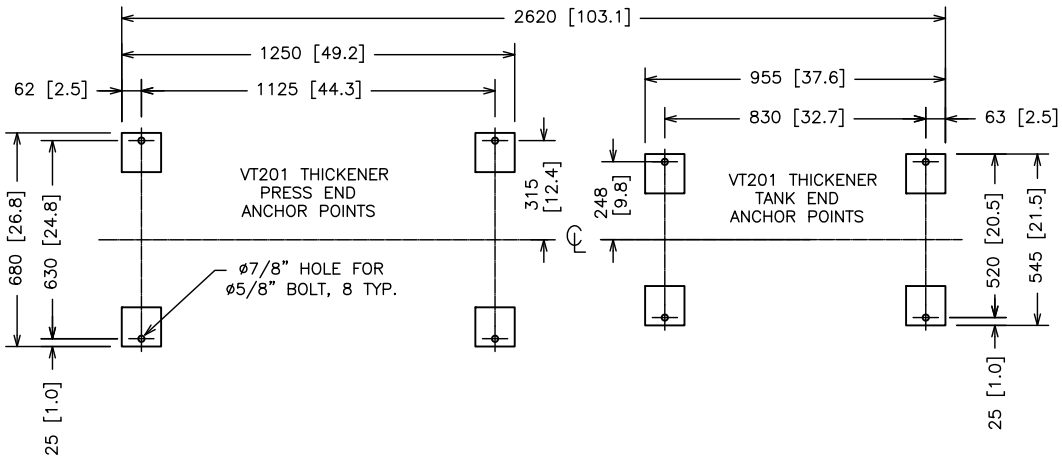
VOLUTE THICKNER
VT201 GA
TANK END ELEV.

JOB# PWT VT201 GA	SCALE
DATE JAN. 2017	NTS
DRAWN PWTech LLC.	SHEET
APPROV. ALEX DAVEY	3 OF 4



RECOMMENDED SPACE

**ALL METAL COMPONENTS ARE STAINLESS STEEL



FOOTPRINT AND ANCHOR POINTS

DIMENSIONS: MM [INCHES]



**VOLUTE THICKNER
VT201 GA
ANCHOR PTS. & REC. SPACE**

JOB# PWT VT201 GA

DATE JAN. 2017

DRAWN PWTech LLC.

APPROV. ALEX DAVEY

SCALE

NTS

SHEET

4 OF 4