

DIMENSIONS: MM [INCHES]

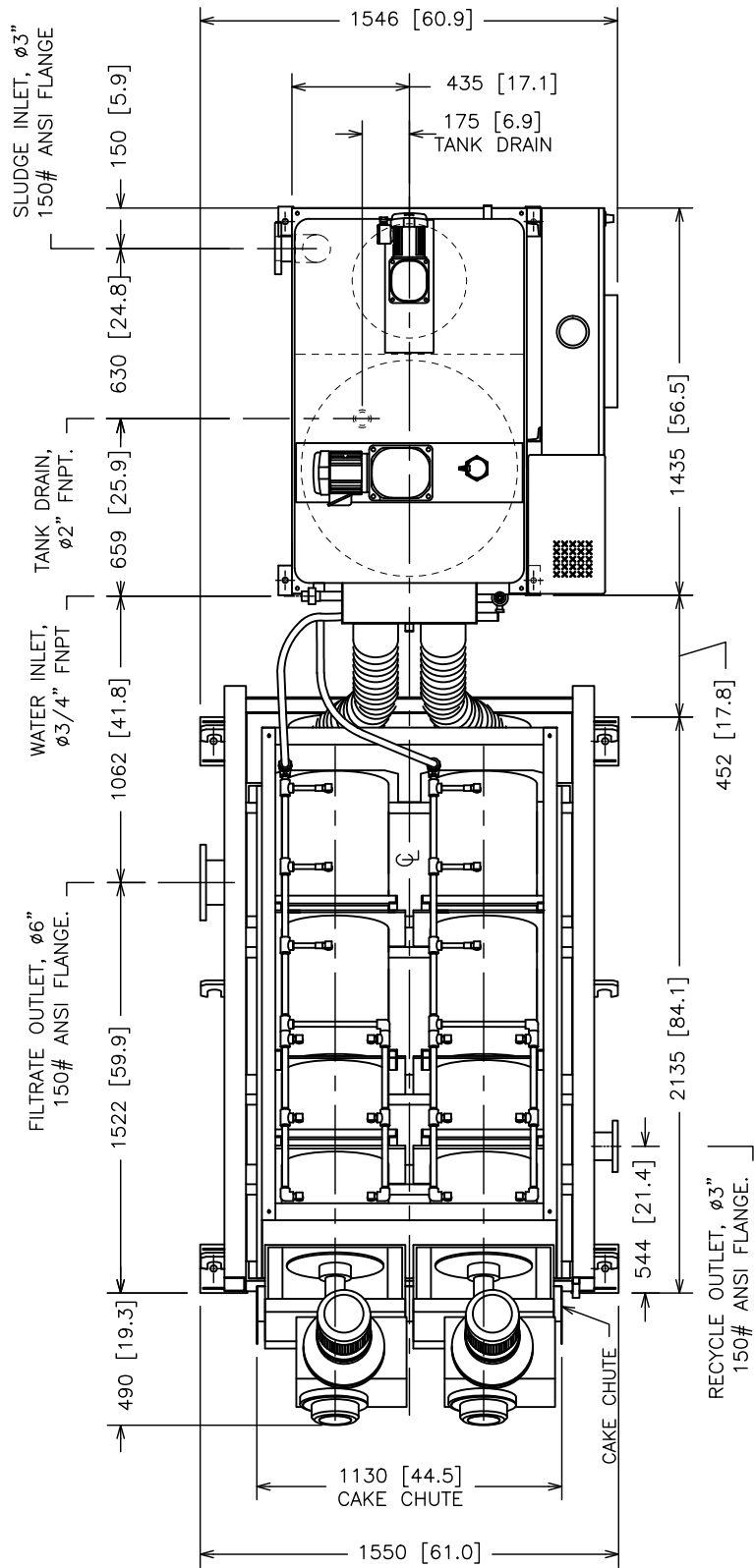
SIDE ELEVATION

**ALL METAL COMPONENTS ARE STAINLESS STEEL



VOLUTE DEWATERING PRESS
 ESR-352 GA DRAWING
 ELEVATION VIEW

JOB# PWT VDP ESR-352	SCALE
DATE NOV. 2018	NTS
DRAWN PWTech LLC.	SHEET
APPROV. RICH HUNT	1 OF 4



PLAN VIEW

**ALL METAL COMPONENTS ARE STAINLESS STEEL

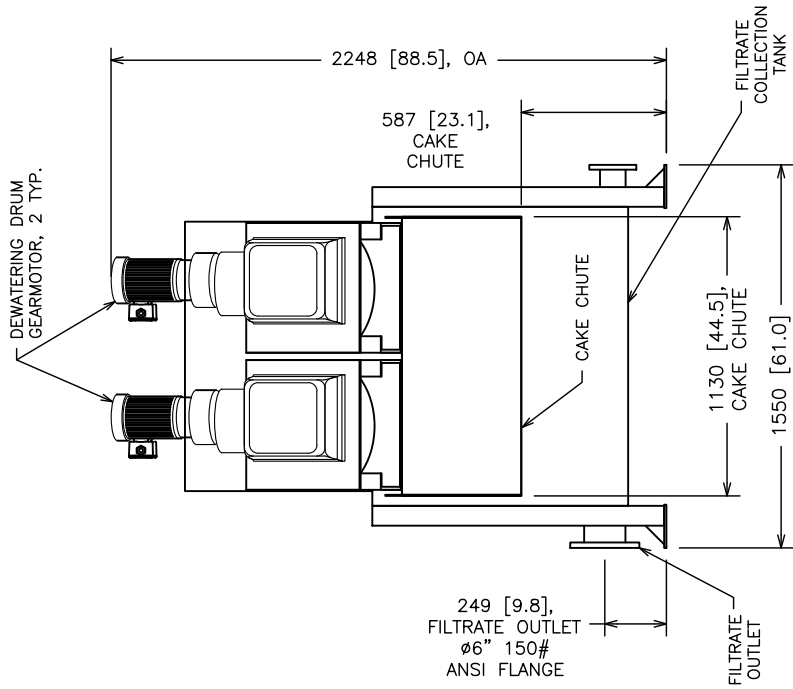
DIMENSIONS: MM [INCHES]



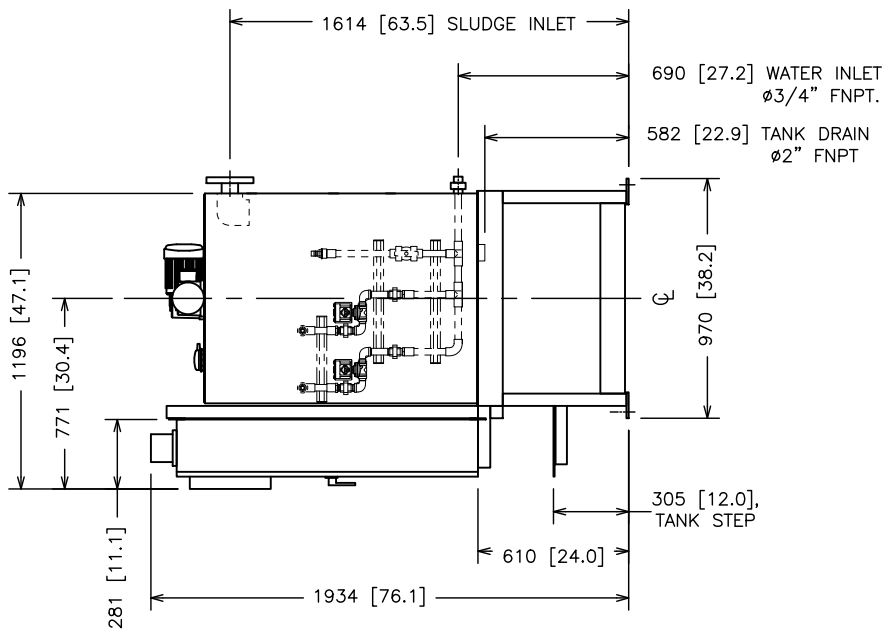
VOLUTE DEWATERING PRESS
 ES-352R GA DRAWING
 PLAN VIEW

JOB# PWT VDP ESR-352
DATE NOV. 2018
DRAWN PWTech LLC
APPROV. RICH HUNT

SCALE
NTS
SHEET
2 OF 4



PRESS END ELEVATION



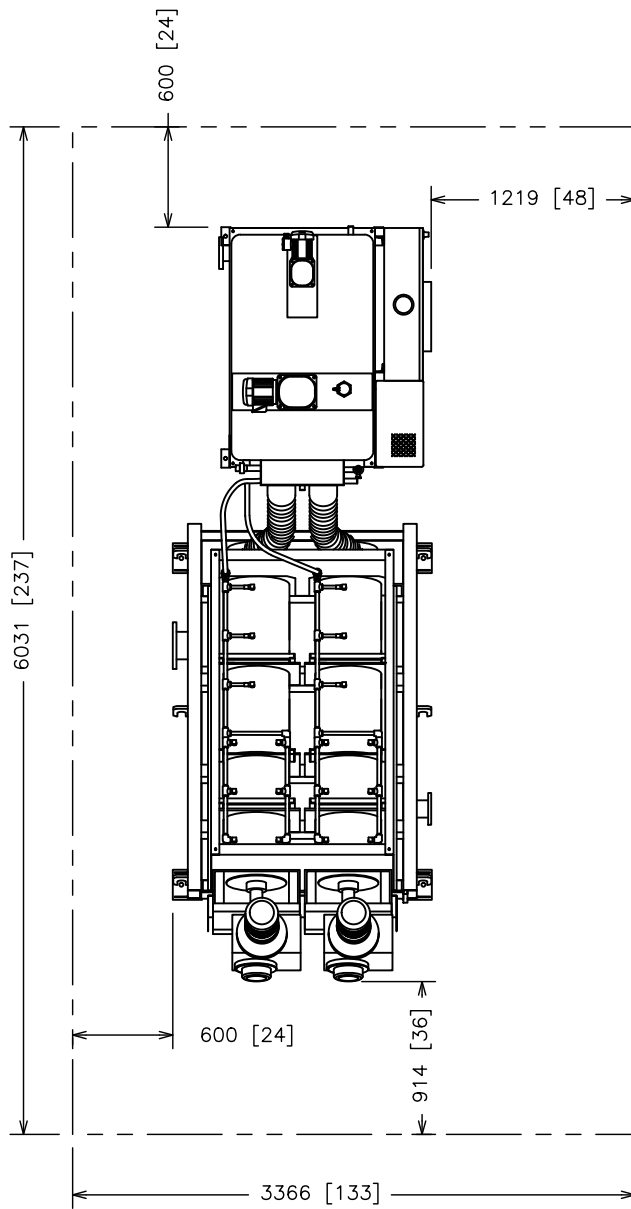
TANK END ELEVATION

DIMENSIONS: MM [INCHES]

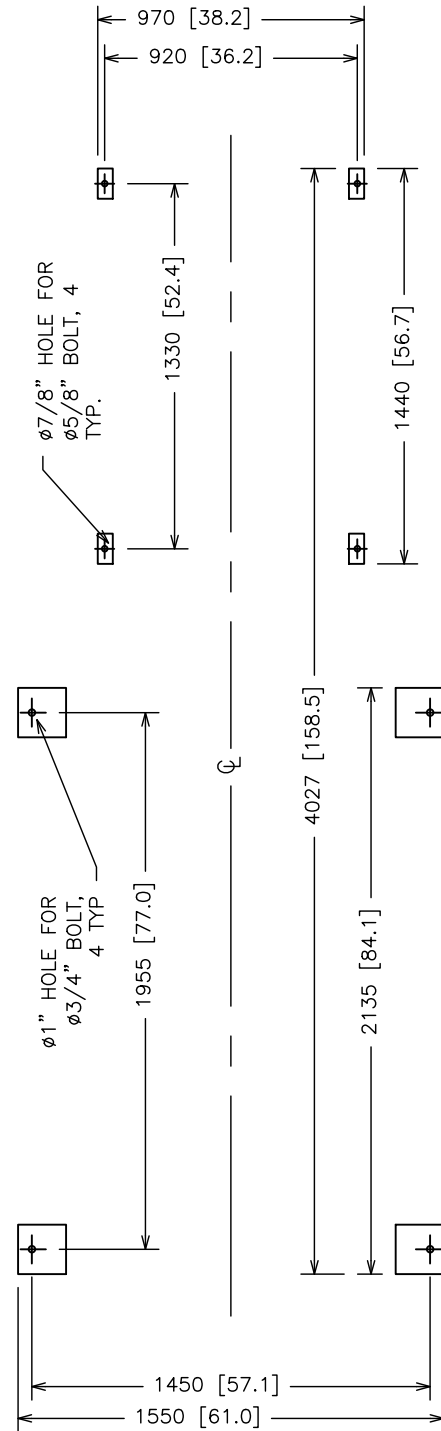


VOLUTE DEWATERING PRESS
ES-352R GA DRAWING
END ELEVATIONS

JOB# PWT VDP ESR-352	SCALE
DATE NOV. 2018	NTS
DRAWN PWTech LLC.	SHEET
APPROV. RICH HUNT	3 OF 4



RECOMMENDED SPACE



ANCHOR POINTS

**ALL METAL COMPONENTS ARE STAINLESS STEEL

DIMENSIONS: MM [INCHES]



VOLUTE DEWATERING PRESS
 ESR-352 GA DRAWING
 REC. SPACE & ANCHORS PTS.

JOB# PWT VDP ESR-352	SCALE NTS
DATE NOV. 2018	
DRAWN PWTech LLC.	SHEET 4 OF 4
APPROV. RICH HUNT	