

DIMENSIONS: MM [INCHES]

SIDE ELEVATION

**ALL METAL COMPONENTS ARE STAINLESS STEEL



VOLUTE DEWATERING PRESS
ES353 GA DRAWING
ELEVATION VIEW

JOB# PWT VDP ES353

DATE 03 MARCH, 2015

DRAWN PWTech LLC.

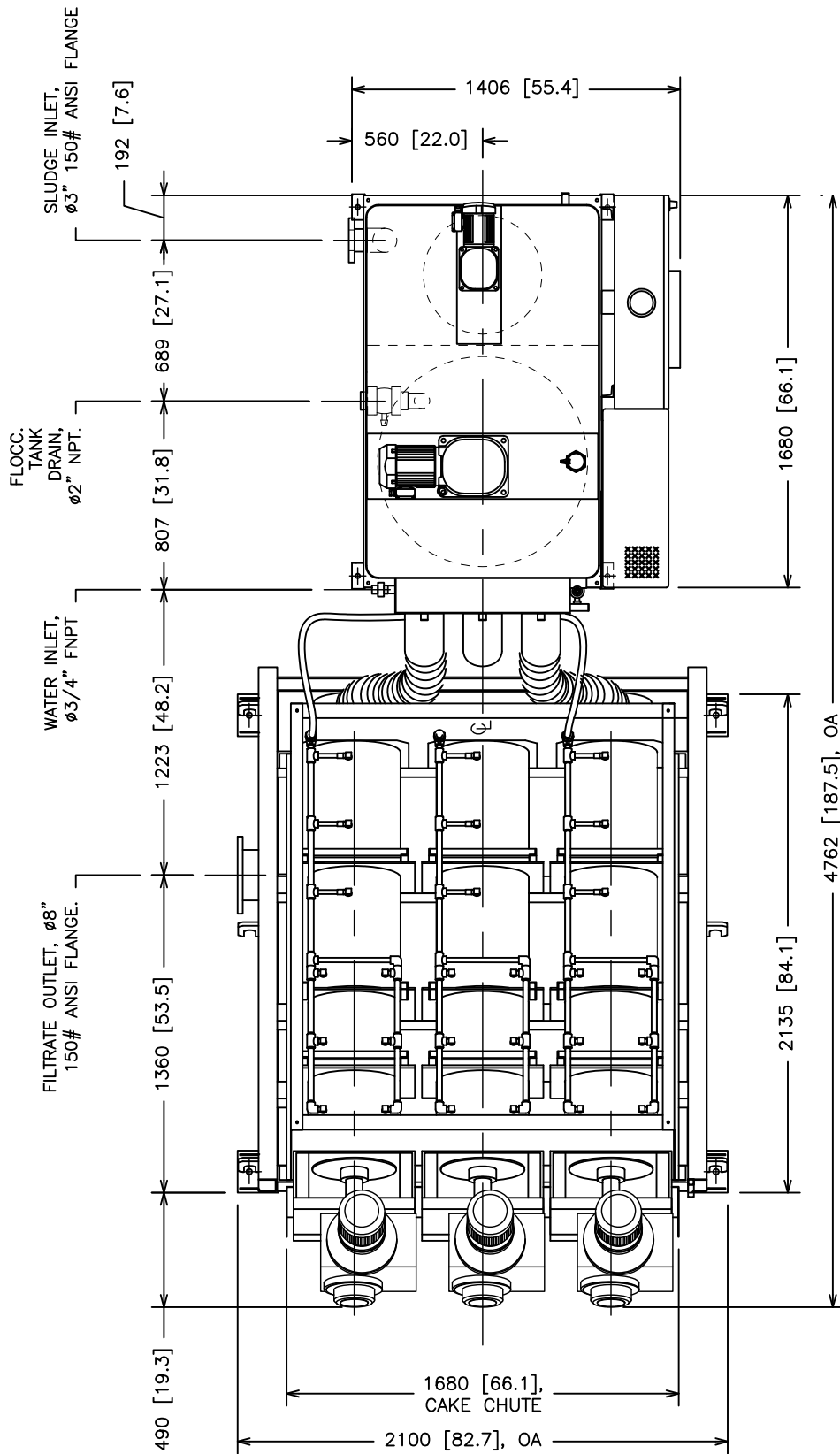
APPROV. ALEX DAVEY

SCALE

NTS

SHEET

1 OF 4



PLAN VIEW

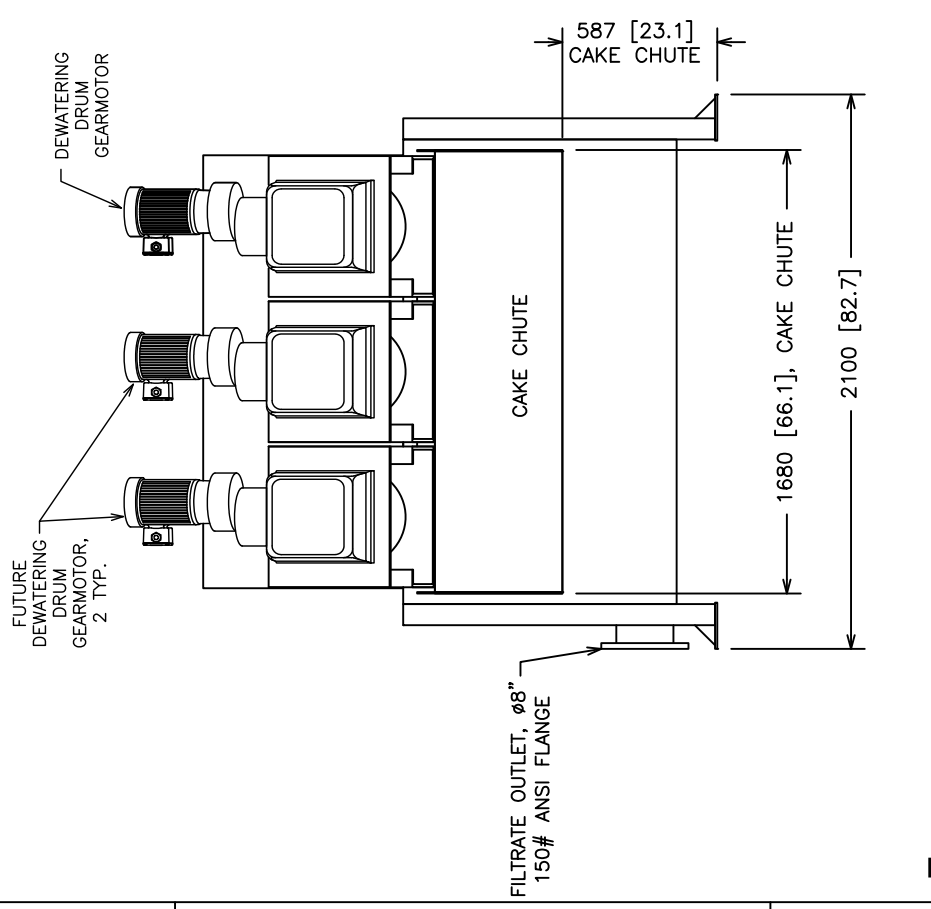
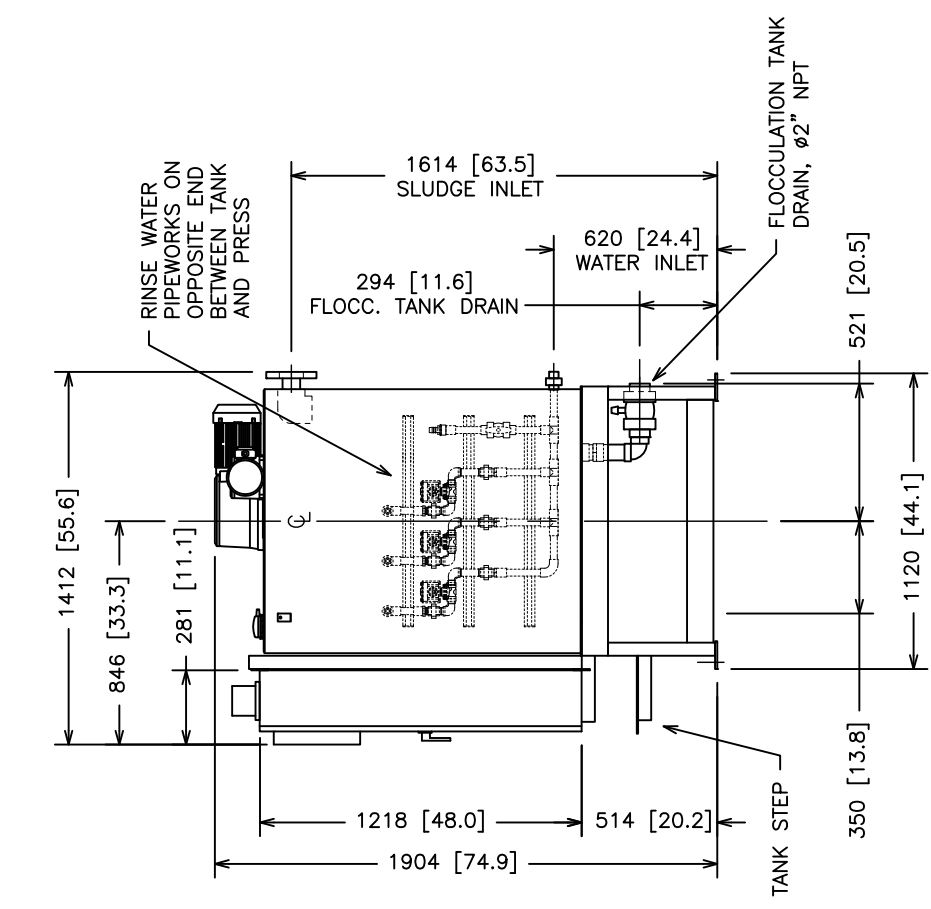
**ALL METAL COMPONENTS ARE STAINLESS STEEL

DIMENSIONS: MM [INCHES]



VOLUTE DEWATERING PRESS
ES353 GA DRAWING
PLAN VIEW

JOB# PWT VDP ES353	SCALE
DATE 03 MARCH, 2015	NTS
DRAWN PWTech LLC.	SHEET
APPROV. ALEX DAVEY	2 OF 4



DIMENSIONS: MM [INCHES]

TANK END ELEVATION

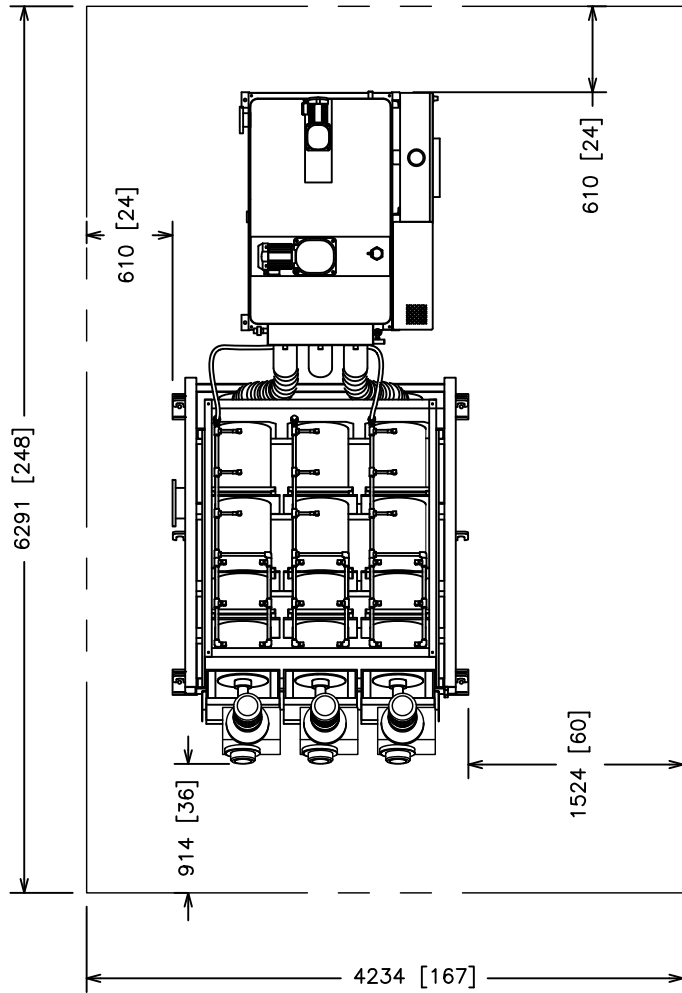
PRESS END ELEVATION

**ALL METAL COMPONENTS ARE STAINLESS STEEL

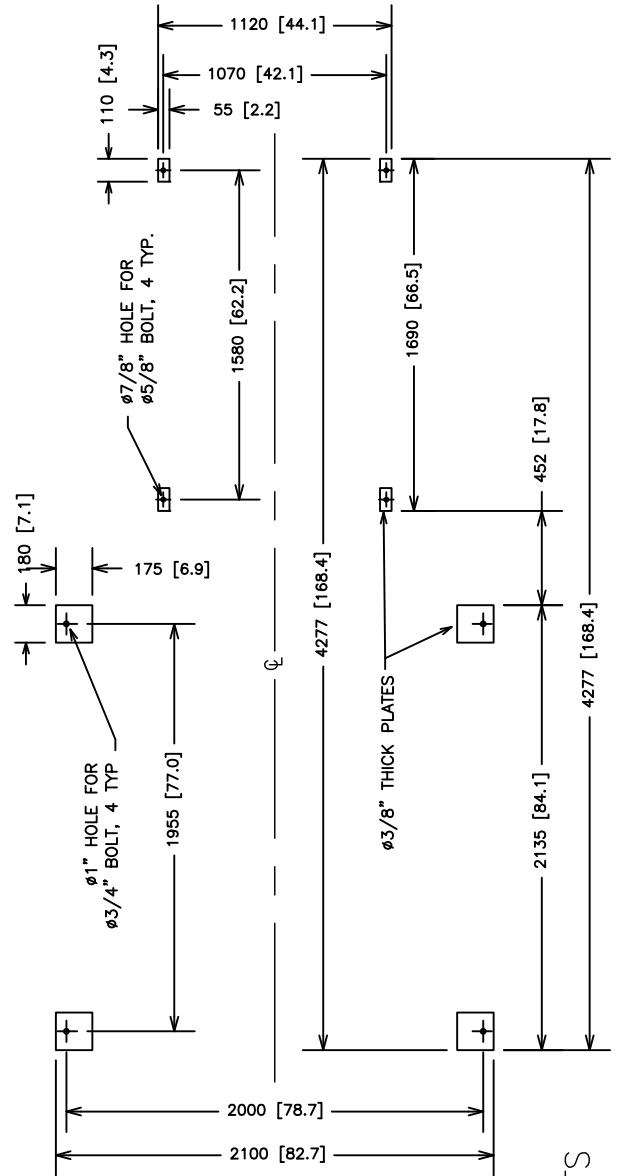


**VOLUTE DEWATERING PRESS
ES353 GA DRAWING
END ELEVATION**

JOB# PWT VDP ES353	SCALE
DATE 03 MARCH, 2015	NTS
DRAWN PWTech LLC.	SHEET
APPROV. ALEX DAVEY	3 OF 4



RECOMMENDED SPACE



ANCHOR POINTS

DIMENSIONS: MM [INCHES]



VOLUTE DEWATERING PRESS
 ES353 GA DRAWING
 REC. SPACE & ANCHORS PTS.

JOB# PWT VDP ES353	SCALE NTS
DATE 03 MARCH, 2015	
DRAWN PWTech LLC.	SHEET
APPROV. ALEX DAVEY	4 OF 4