

DIMENSIONS: MM [INCHES]

**ALL METAL COMPONENTS ARE STAINLESS STEEL

SIDE ELEVATION



**VOLUTE DEWATERING PRESS
ES-352 GA DRAWING
ELEVATION VIEW**

JOB# PWT VDP ES-352

DATE APRIL 2015

DRAWN PWTech Inc.

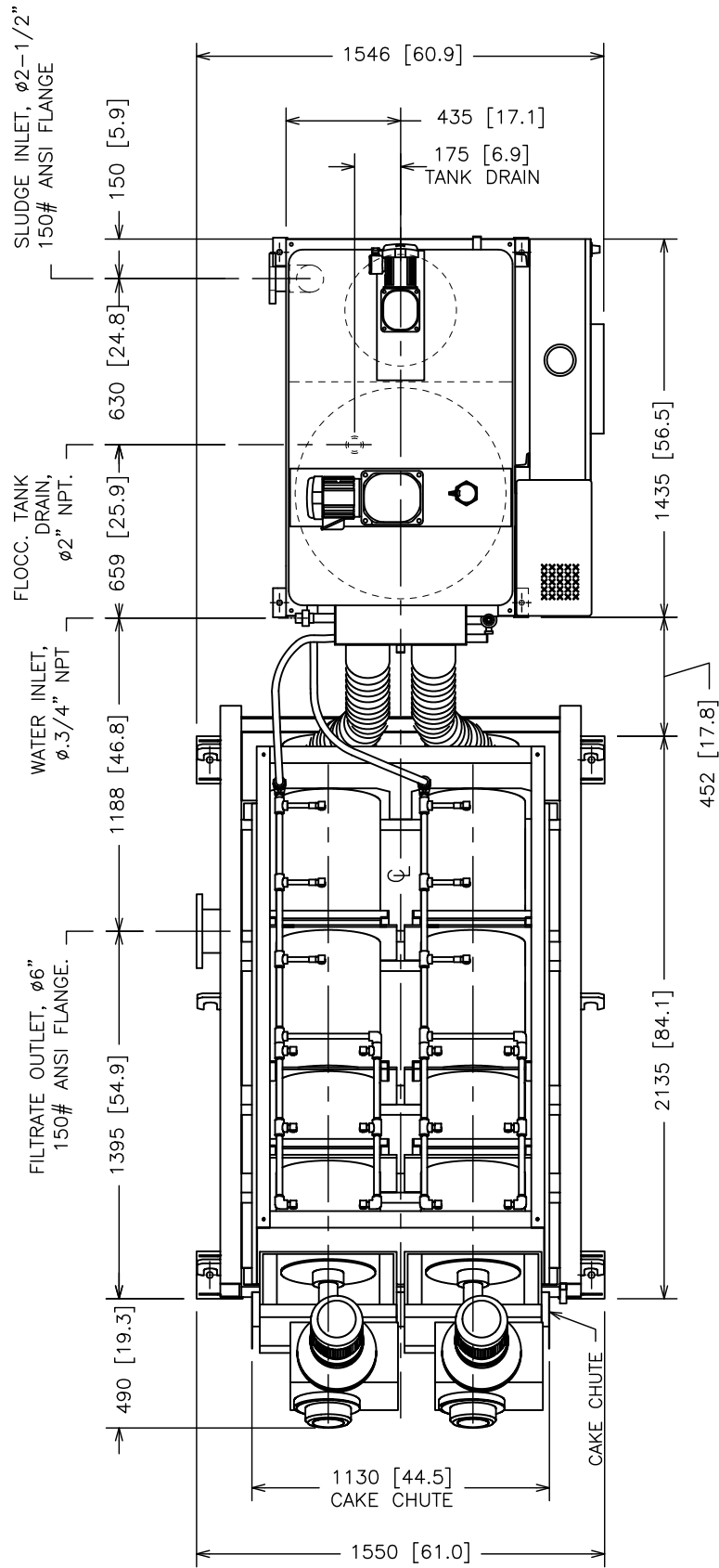
APPROV. ALEX DAVEY

SCALE

NTS

SHEET

1 OF 4



**ALL METAL COMPONENTS ARE STAINLESS STEEL

PLAN VIEW

DIMENSIONS: MM [INCHES]



VOLUTE DEWATERING PRESS
ES-352 GA DRAWING
PLAN VIEW

JOB# PWT VDP ES-352

DATE APRIL 2015

DRAWN PWTech Inc.

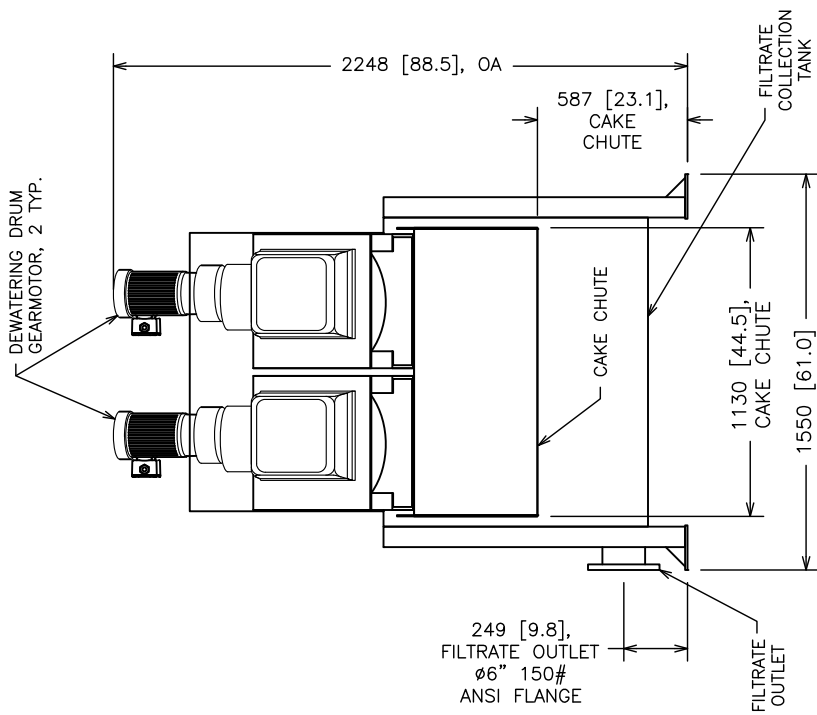
APPROV. ALEX DAVEY

SCALE

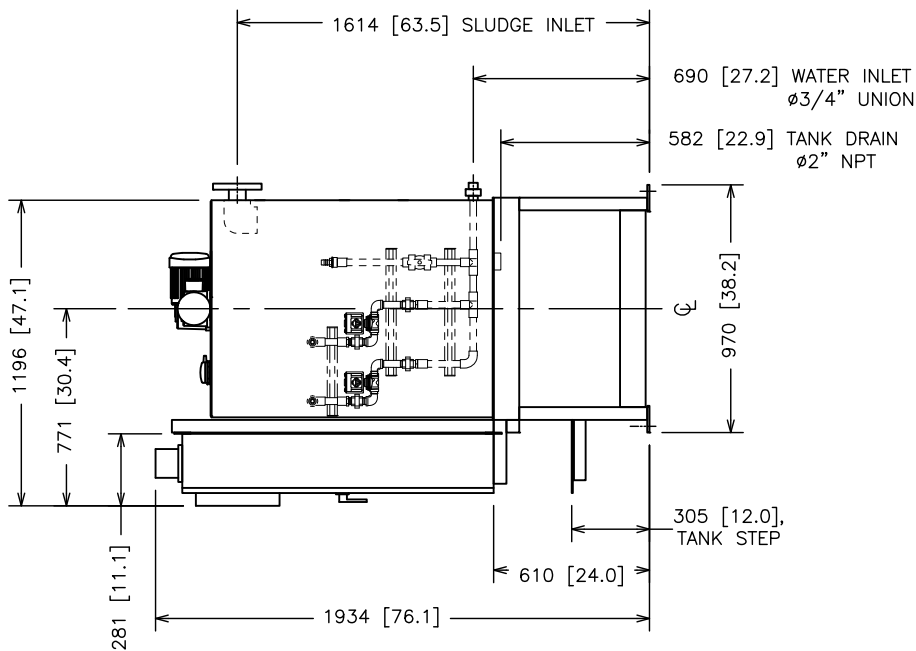
NTS

SHEET

2 OF 4



PRESS END ELEVATION



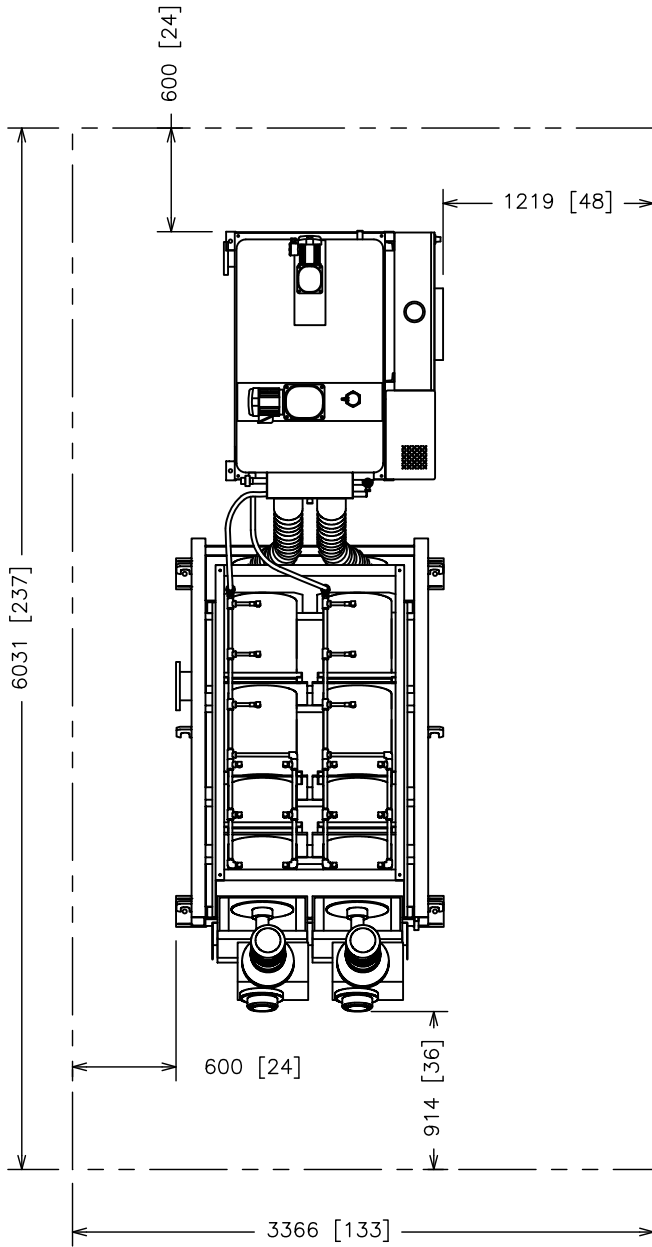
TANK END ELEVATION

DIMENSIONS: MM [INCHES]

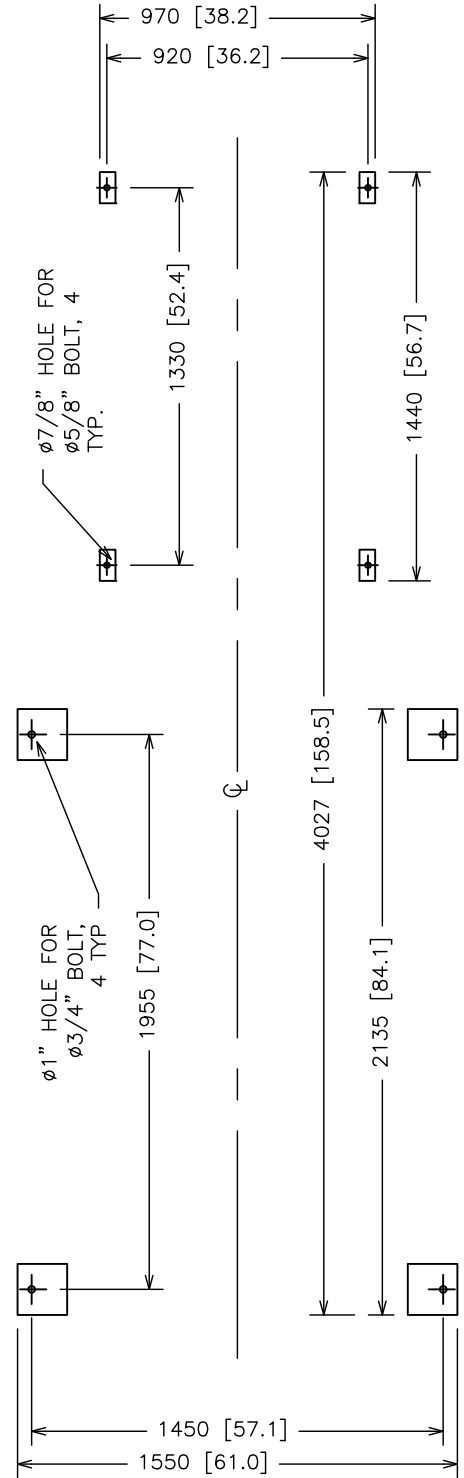


VOLUTE DEWATERING PRESS
ES-352 GA DRAWING
END ELEVATIONS

JOB# PWT VDP ES-352	SCALE
DATE APRIL 2015	NTS
DRAWN PWTech Inc.	SHEET
APPROV. ALEX DAVEY	3 OF 4



RECOMMENDED SPACE



ANCHOR POINTS

**ALL METAL COMPONENTS ARE STAINLESS STEEL

DIMENSIONS: MM [INCHES]



VOLUTE DEWATERING PRESS
 ES-352 GA DRAWING
 REC. SPACE & ANCHORS PTS.

JOB# PWT VDP ES-352	SCALE
DATE APRIL 2015	NTS
DRAWN PWTech Inc.	SHEET
APPROV. ALEX DAVEY	4 OF 4