

DIMENSIONS: MM [INCHES]

**ALL METAL COMPONENTS ARE STAINLESS STEEL



VOLUTE DEWATERING PRESS
ES351 GA DRAWING
SIDE ELEVATION VIEW

JOB# PWT VDP ES351

DATE 17 SEPT. 2015

DRAWN PWTech Inc.

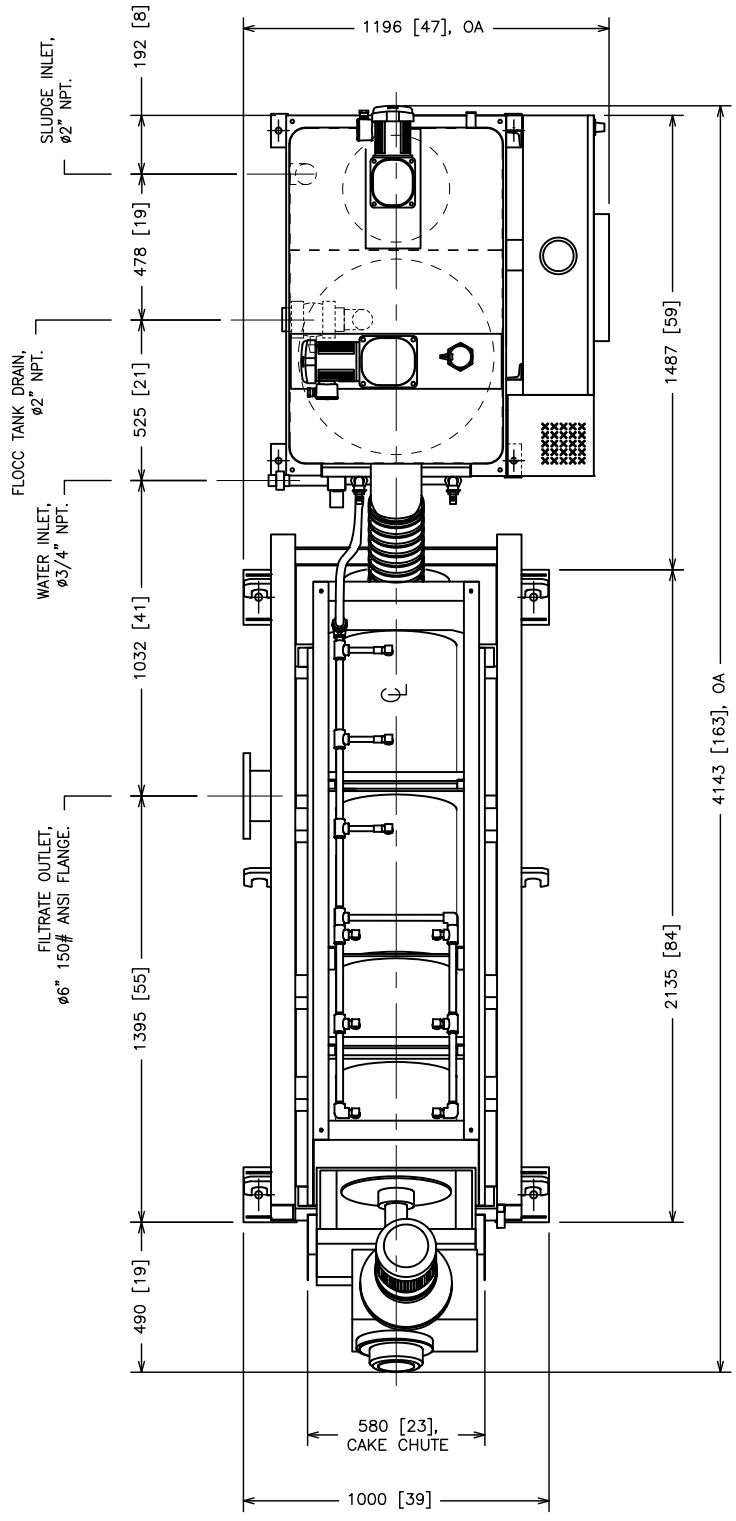
APPROV. ALEX DAVEY

SCALE

NTS

SHEET

1 OF 4



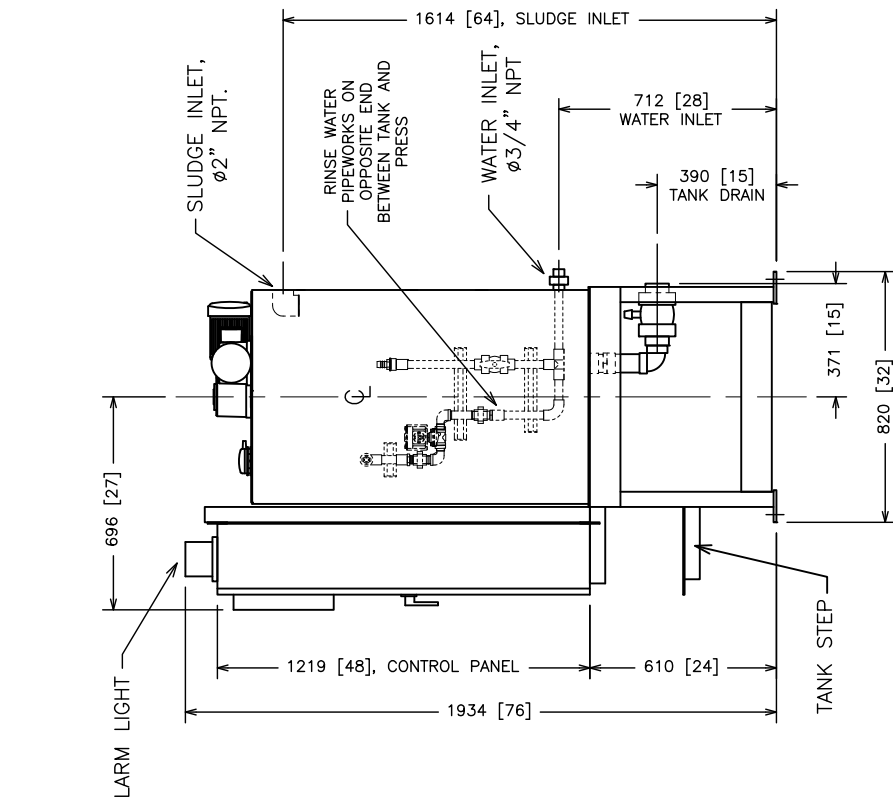
**ALL METAL COMPONENTS ARE STAINLESS STEEL

DIMENSIONS: MM [INCHES]

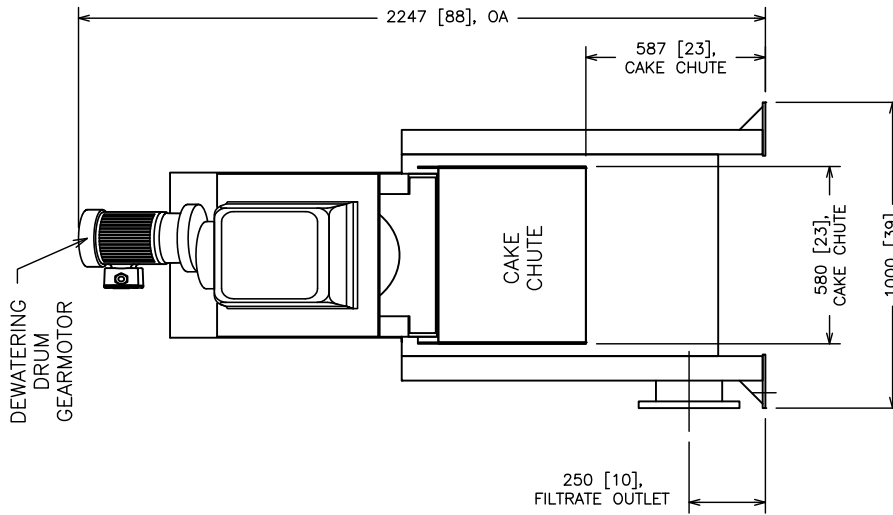


VOLUTE DEWATERING PRESS
 ES351 GA DRAWING
 PLAN VIEW

JOB# PWT VDP ES351	SCALE NTS
DATE 17 SEPT. 2015	
DRAWN PWTech Inc.	SHEET
APPROV. ALEX DAVEY	2 OF 4



TANK END ELEVATION



PRESS END ELEVATION

DIMENSIONS: MM [INCHES]



**VOLUTE DEWATERING PRESS
ES351 GA DRAWING
END ELEVATION**

JOB# PWT VDP ES351

DATE 17 SEPT. 2015

DRAWN PWTech Inc.

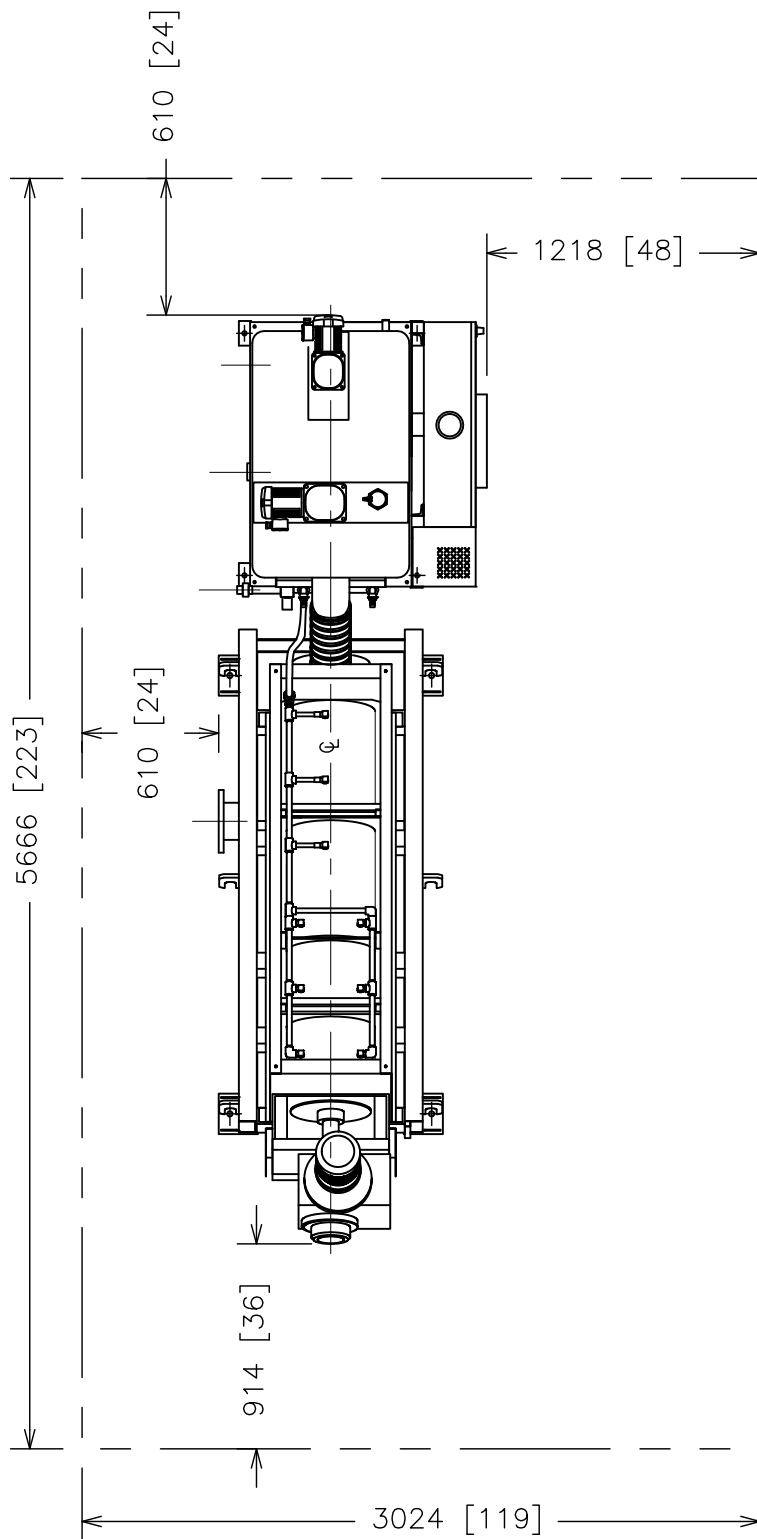
APPROV. ALEX DAVEY

SCALE

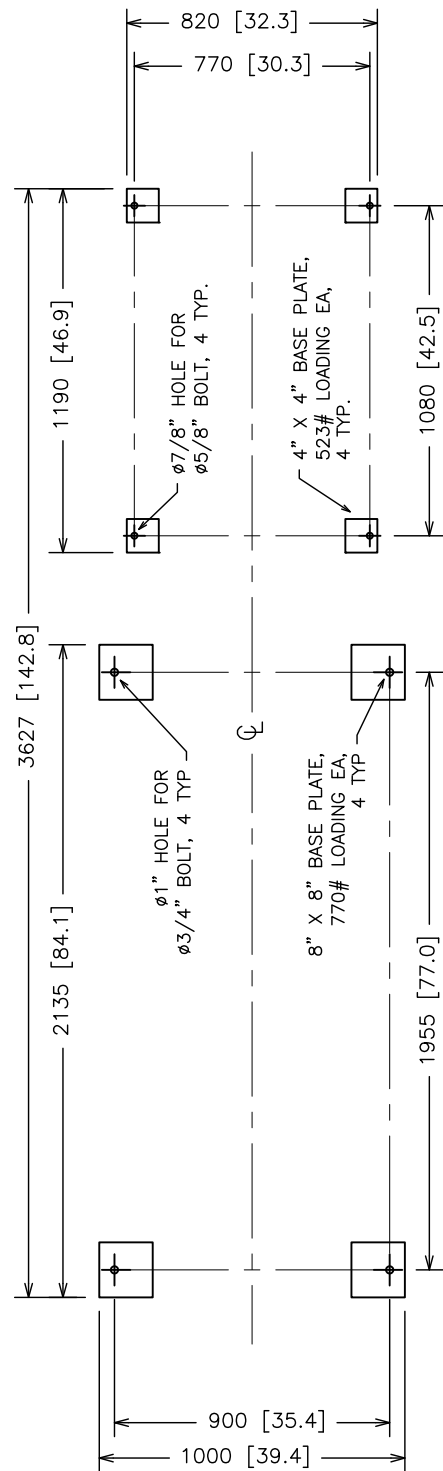
NTS

SHEET

3 OF 4



RECOMMENDED SPACE



ANCHOR POINTS

DIMENSIONS: MM [INCHES]



**VOLUTE DEWATERING PRESS
ES351 GA DRAWING
REC. SPACE & ANCHOR PTS.**

JOB# PWT VDP ES351
DATE 17 SEPT. 2015
DRAWN PWTech Inc.
APPROV. ALEX DAVEY

SCALE
NTS
SHEET
4 OF 4