

**ALL METAL COMPONENTS ARE STAINLESS STEEL

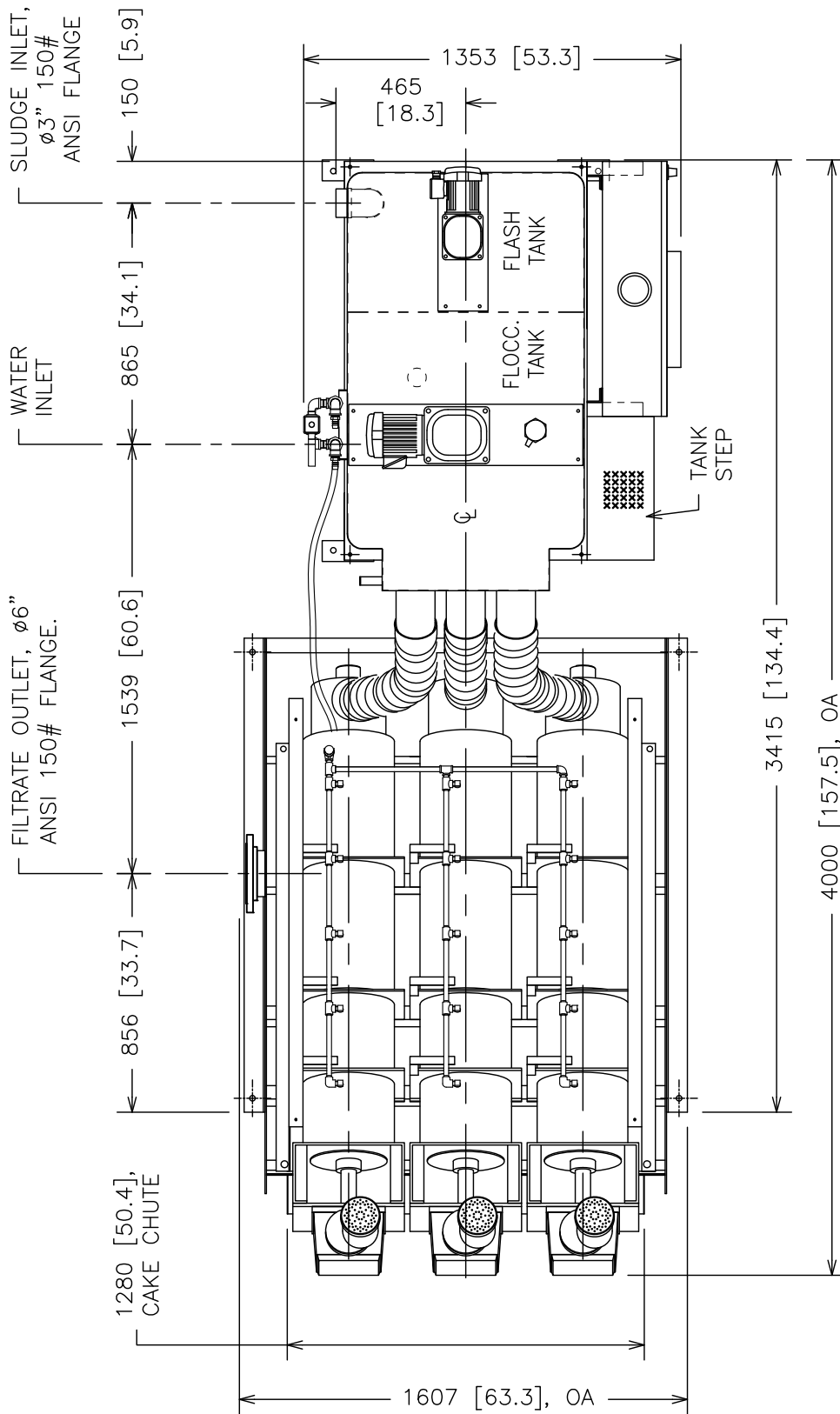
SIDE ELEVATION

DIMENSIONS: MM [INCHES]



VOLUTE DEWATERING PRESS
ES-303 GA
ELEVATION

JOB# PWT VDP ES-303 GA	SCALE
DATE JAN. 2015	NTS
DRAWN PWTech Inc.	SHEET
APPROV. ALEX DAVEY	1 OF 4



DIMENSIONS: MM [INCHES]

PLAN VIEW

**ALL METAL COMPONENTS ARE STAINLESS STEEL



VOLUTE DEWATERING PRESS
ES-303 GA
PLAN

JOB# PWT VDP ES-303 GA

DATE JAN. 2015

DRAWN PWTech Inc.

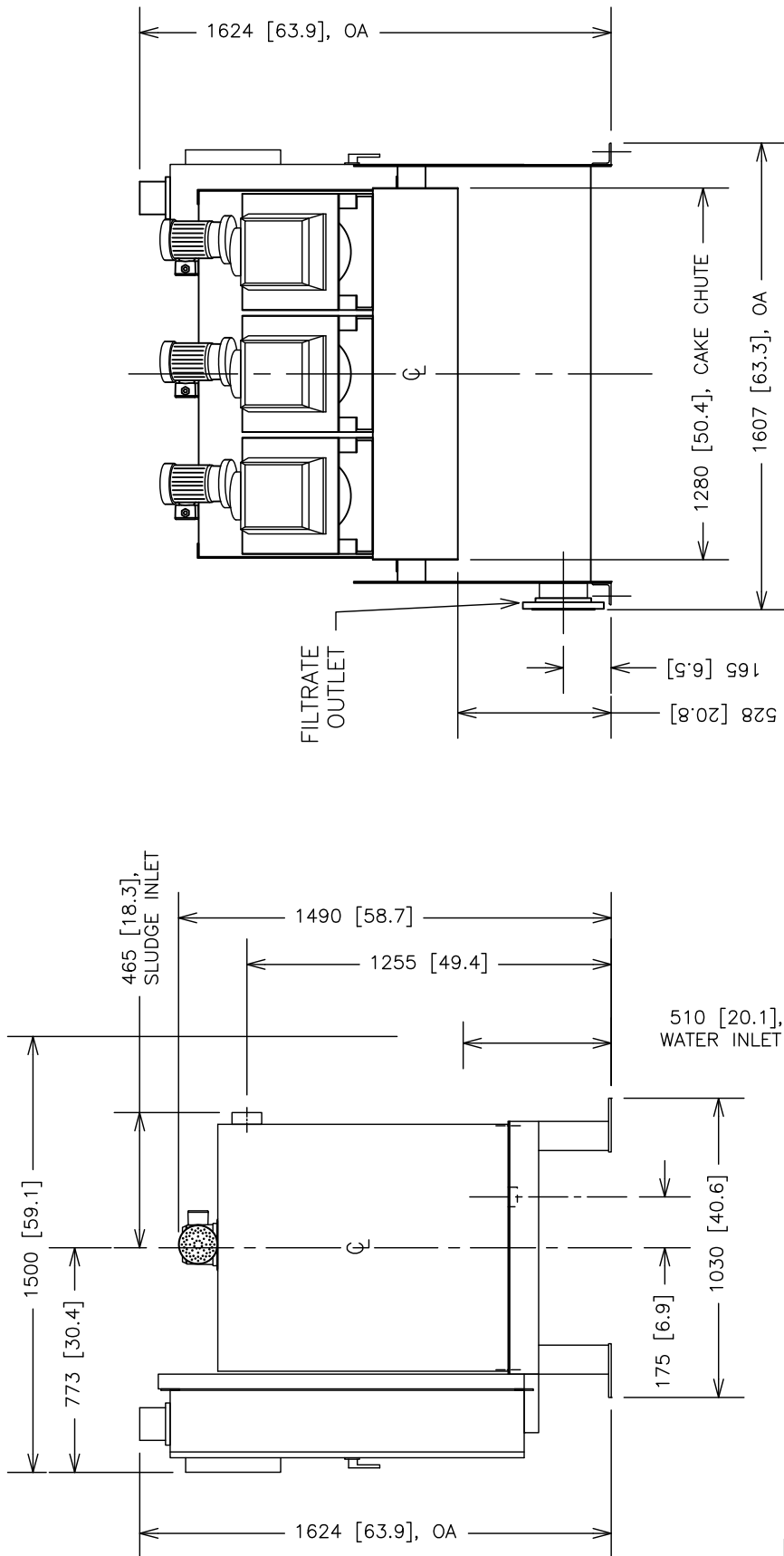
APPROV. ALEX DAVEY

SCALE

NTS

SHEET

2 OF 4



PRESS END ELEVATION

TANK END ELEVATION

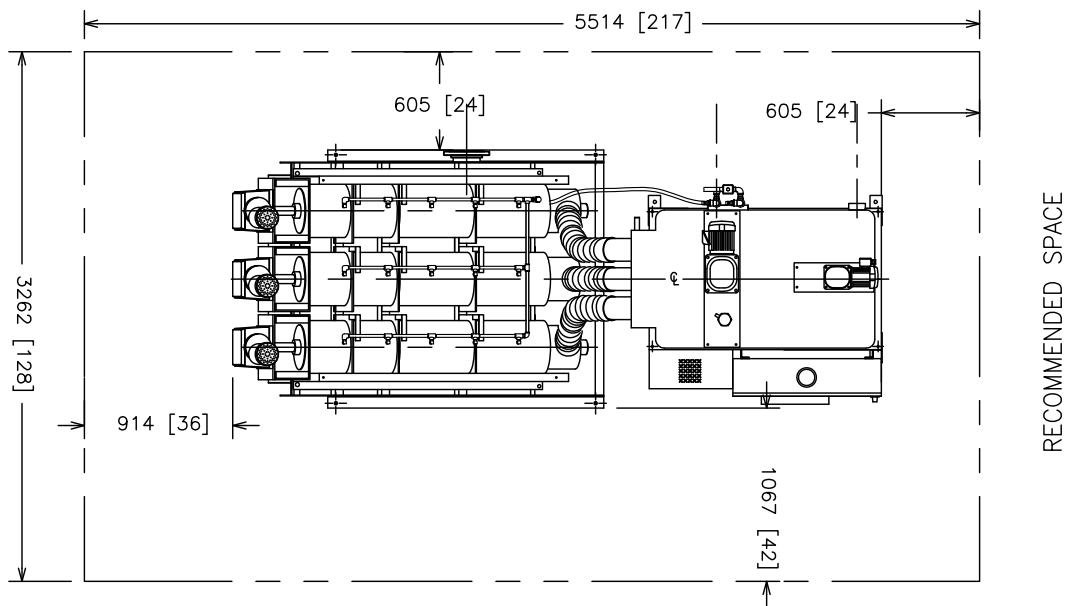
**ALL METAL COMPONENTS ARE STAINLESS STEEL

DIMENSIONS: MM [INCHES]



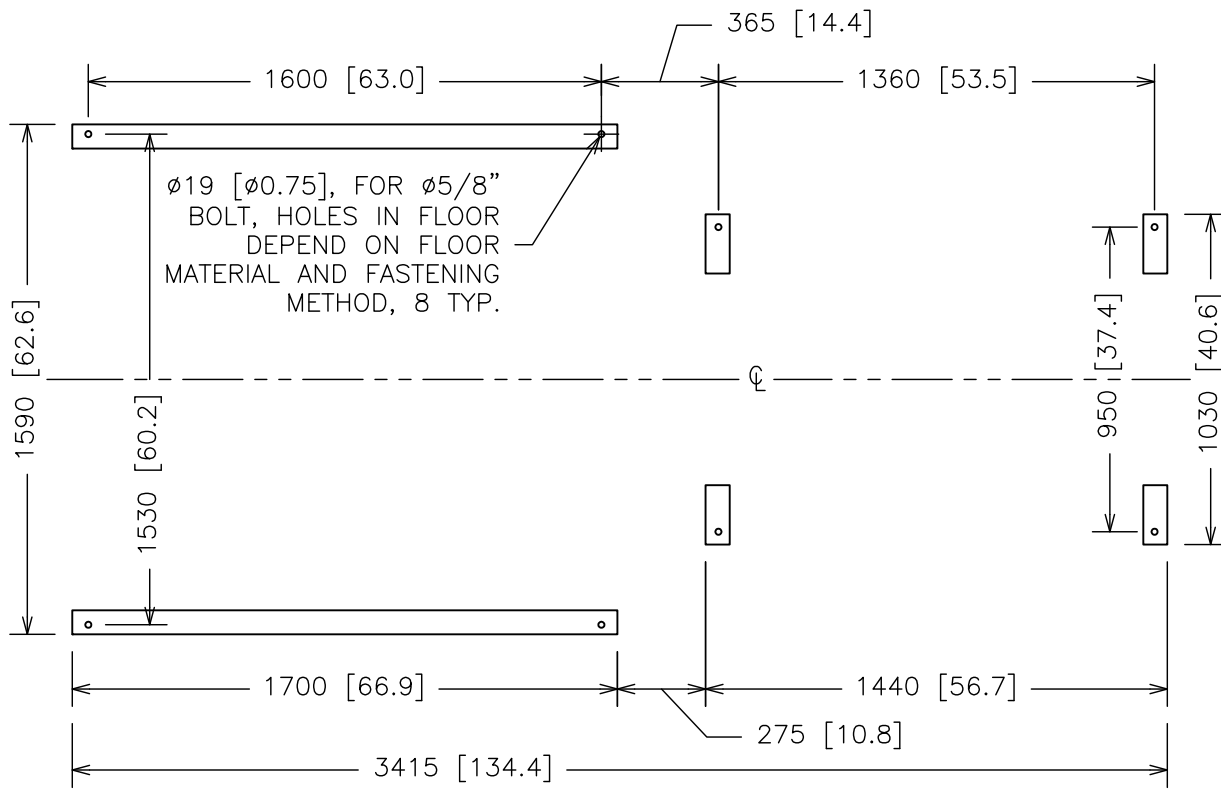
**VOLUTE DEWATERING PRESS
ES303 GA
PRESS AND TANK END ELEV.**

JOB# PWT VDP ES303 GA	SCALE
DATE JAN. 2015	NTS
DRAWN PWTech Inc.	SHEET
APPROV. ALEX DAVEY	3 OF 4



RECOMMENDED SPACE

**ALL METAL COMPONENTS ARE STAINLESS STEEL



FOOTPRINT AND ANCHOR POINTS

DIMENSIONS: MM [INCHES]



**VOLUTE DEWATERING PRESS
ES303 GA
REC. SPACE & ANCHOR PTS.**

JOB# PWT VDP ES303 GA	SCALE
DATE JAN. 2015	NTS
DRAWN PWTech Inc.	SHEET
APPROV. ALEX DAVEY	4 OF 4