

DIMENSIONS: MM [INCHES]

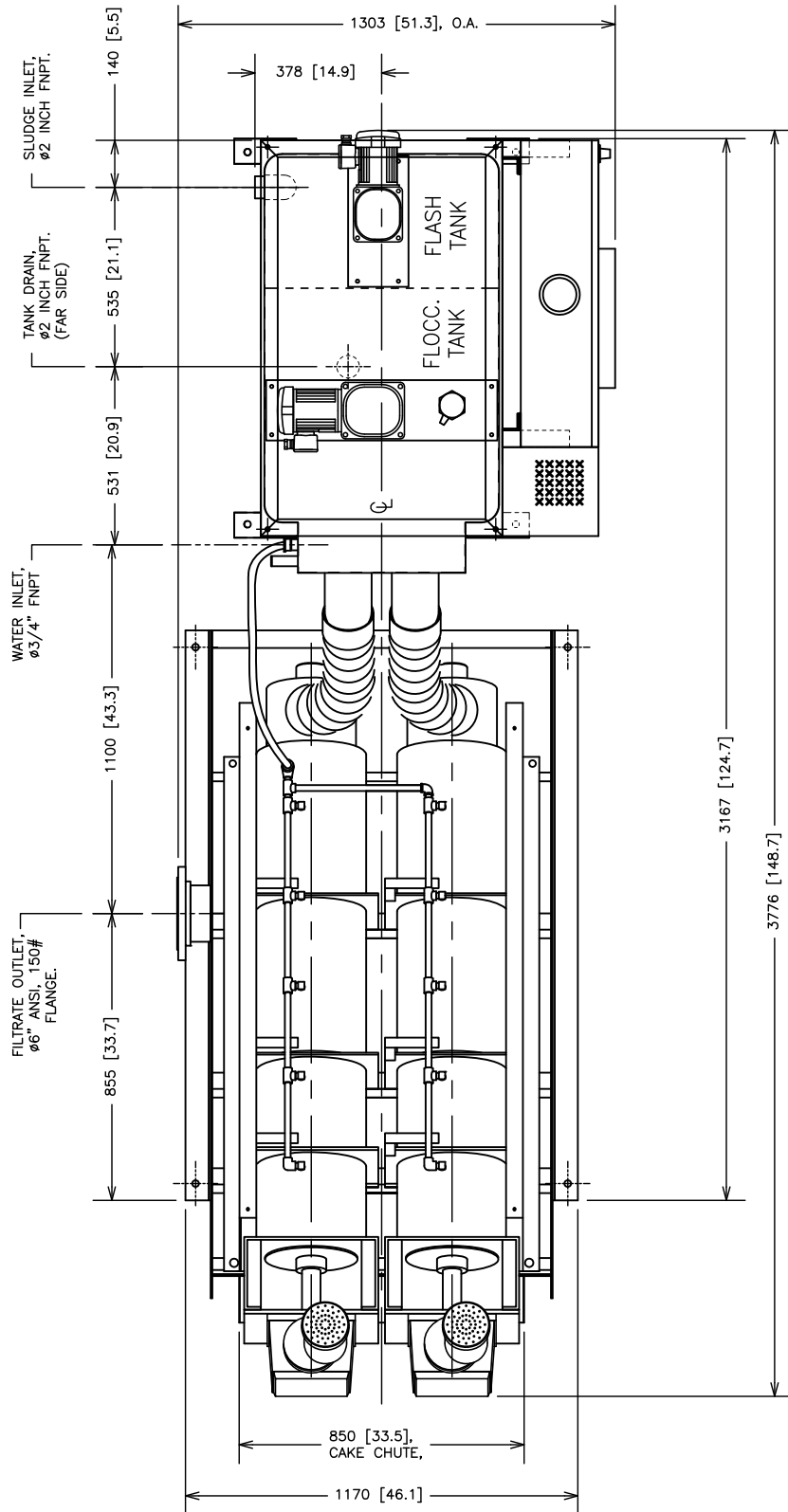
SIDE ELEVATION

**ALL METAL COMPONENTS ARE STAINLESS STEEL



VOLUTE DEWATERING PRESS
ES302 GA
ELEVATION

MODEL# PWT VDP ES302	SCALE
DATE JULY 2016	NTS
DRAWN PWTech Inc.	SHEET
APPROV. ALEX DAVEY	1 OF 4



DIMENSIONS: MM [INCHES]

PLAN VIEW

**ALL METAL COMPONENTS ARE STAINLESS STEEL



VOLUTE DEWATERING PRESS
ES302 GA
PLAN

MODEL# PWT VDP ES302

DATE JULY 2016

DRAWN PWTech Inc.

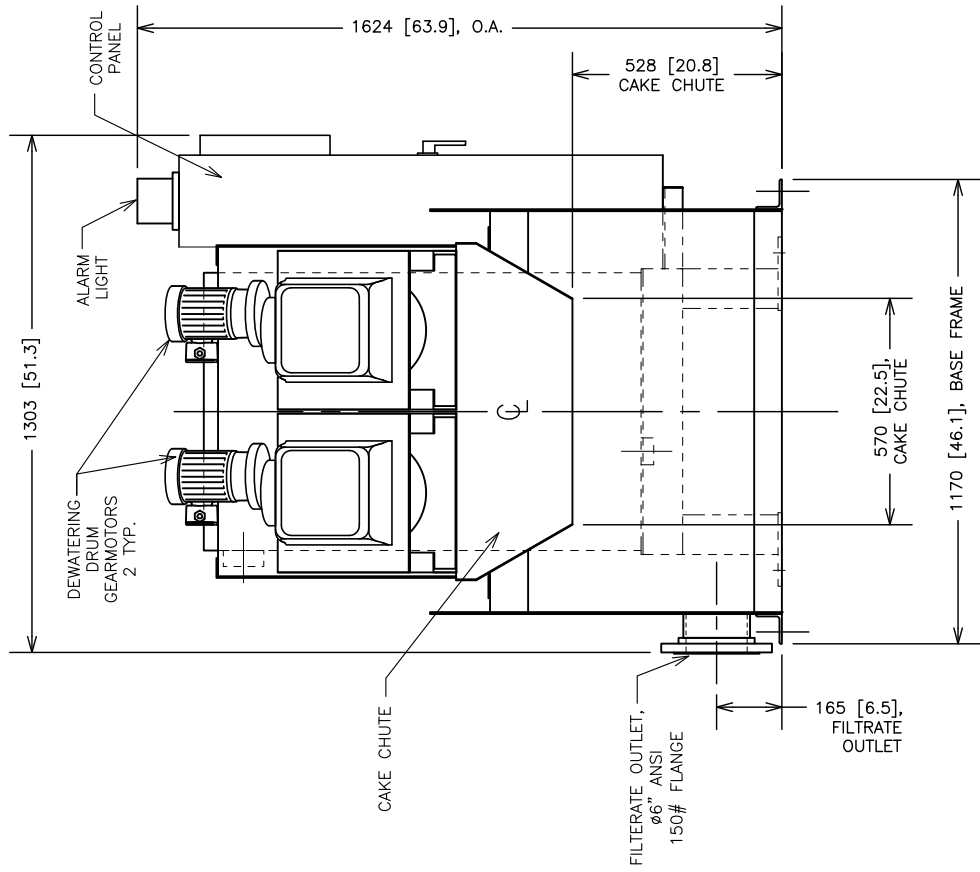
APPROV. ALEX DAVEY

SCALE

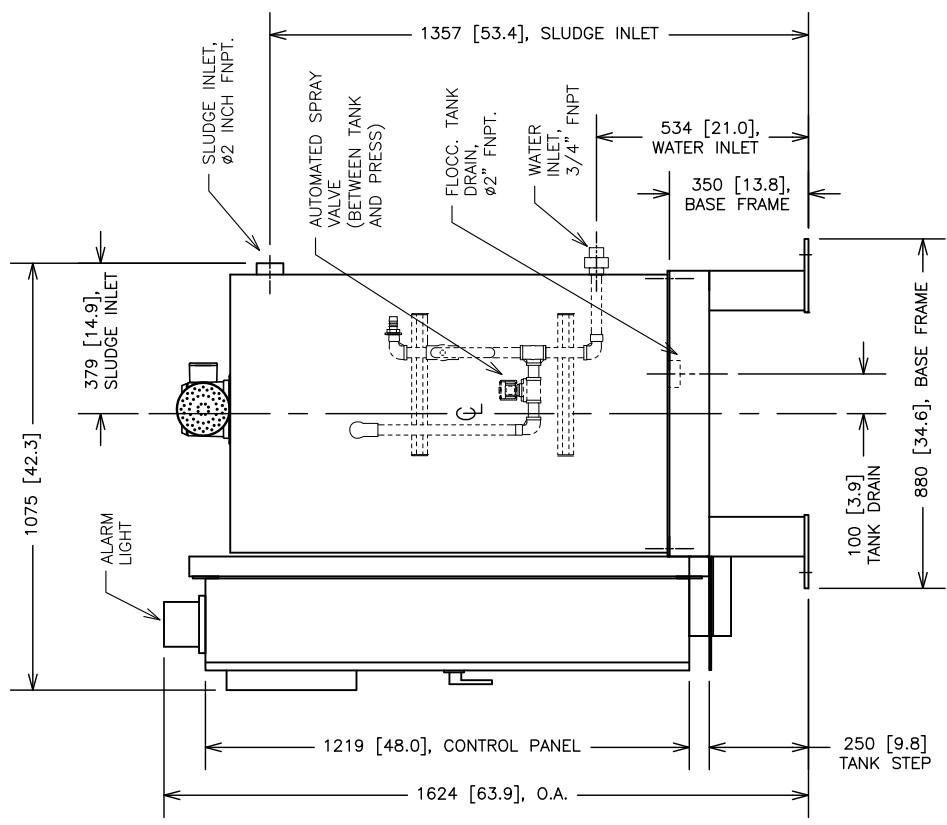
NTS

SHEET

2 OF 4



PRESS END ELEVATION



TANK END ELEVATION

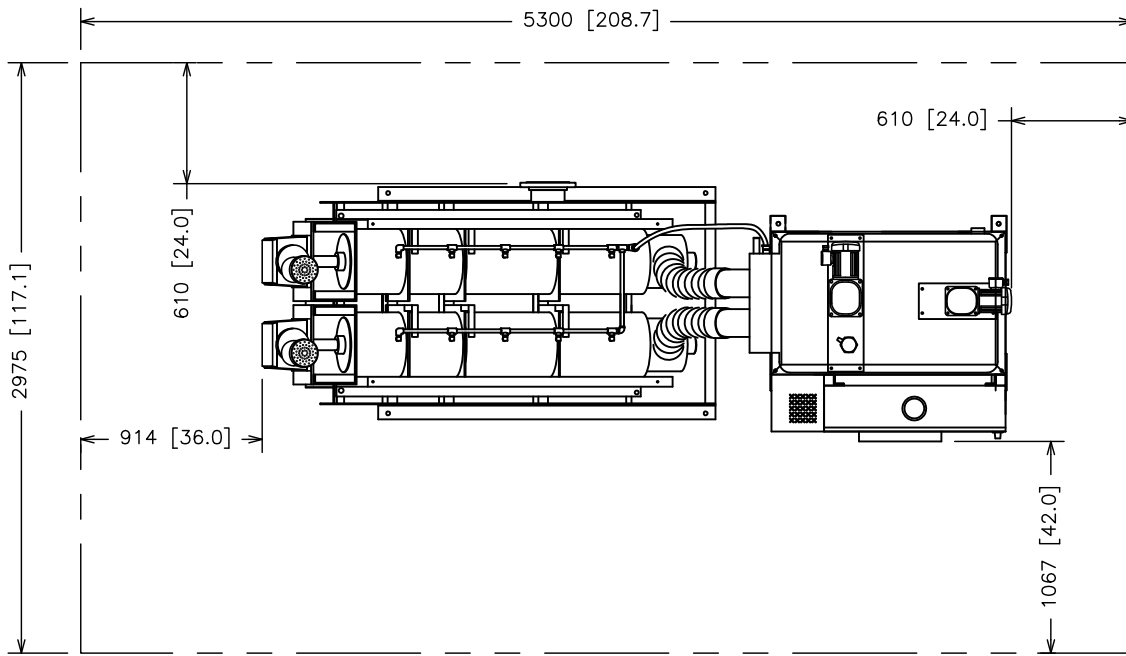
DIMENSIONS: MM [INCHES]

**ALL METAL COMPONENTS ARE STAINLESS STEEL



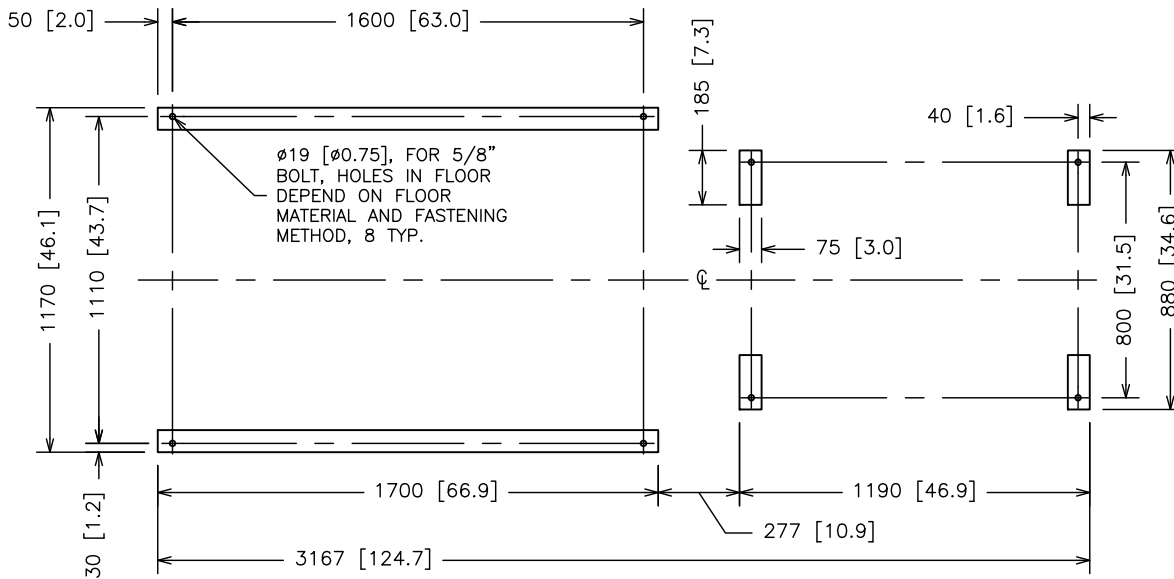
VOLUTE DEWATERING PRESS
ES302 GA
PRESS AND TANK END ELEV.

MODEL# PWT VDP ES302	SCALE
DATE JULY 2016	NTS
DRAWN PWTech Inc.	SHEET
APPROV. ALEX DAVEY	3 OF 4



RECOMMENDED MAINTENANCE SPACE

**ALL METAL COMPONENTS ARE STAINLESS STEEL



FOOTPRINT AND ANCHOR POINTS

DIMENSIONS: MM [INCHES]



**VOLUTE DEWATERING PRESS
ES302 GA
END & REQ. MAINT. SPACE**

MODEL# PWT VDP ES302	SCALE
DATE JULY 2016	NTS
DRAWN PWTech Inc.	SHEET
APPROV. ALEX DAVEY	4 OF 4