

DIMENSIONS: MM [INCHES]

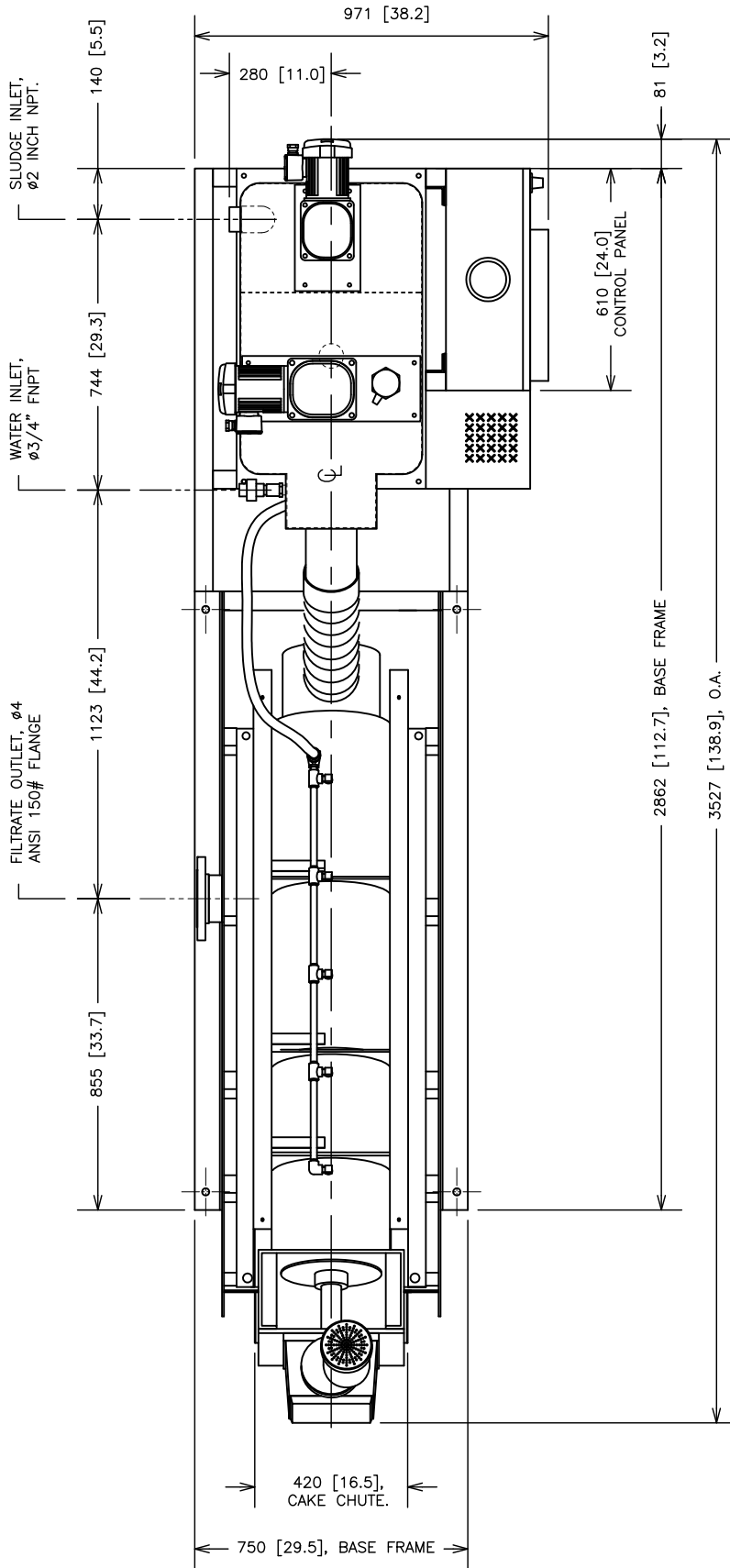
SIDE ELEVATION

\*\*ALL METAL COMPONENTS ARE STAINLESS STEEL



**VOLUTE DEWATERING PRESS**  
**ES-301 GA**  
**ELEVATION**

JOB# PWT VDP ES-301 GA	SCALE
DATE JAN. 2015	NTS
DRAWN PWTech Inc.	SHEET
APPROV. ALEX DAVEY	1 OF 4



PLAN VIEW

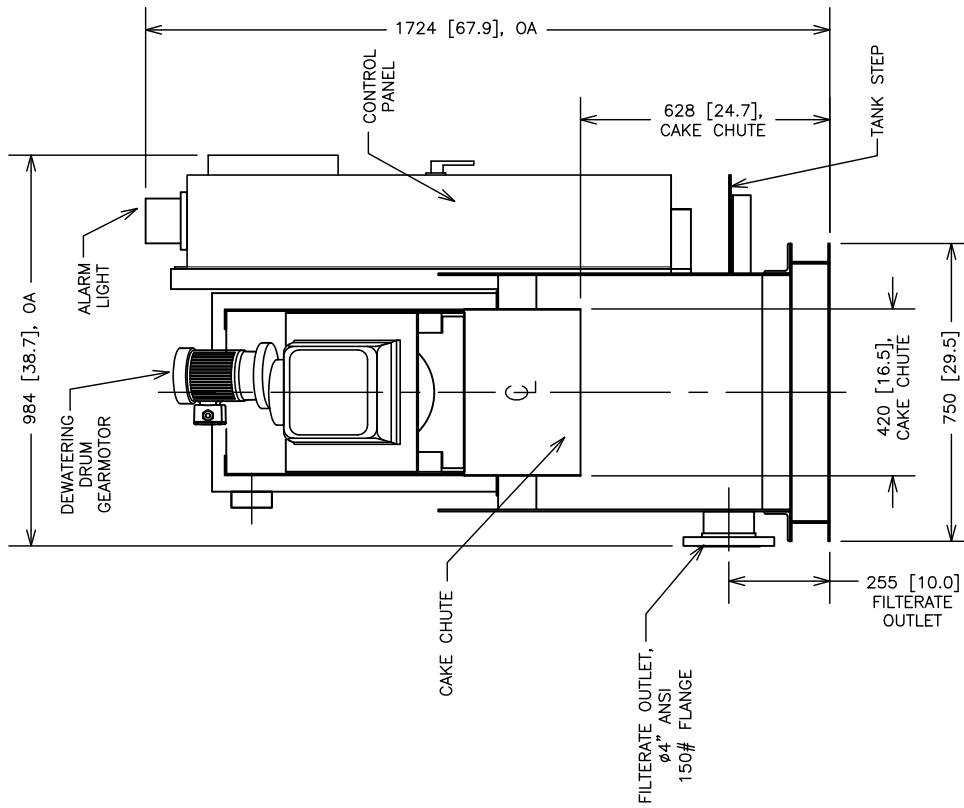
DIMENSIONS: MM [INCHES]

\*\*ALL METAL COMPONENTS ARE STAINLESS STEEL

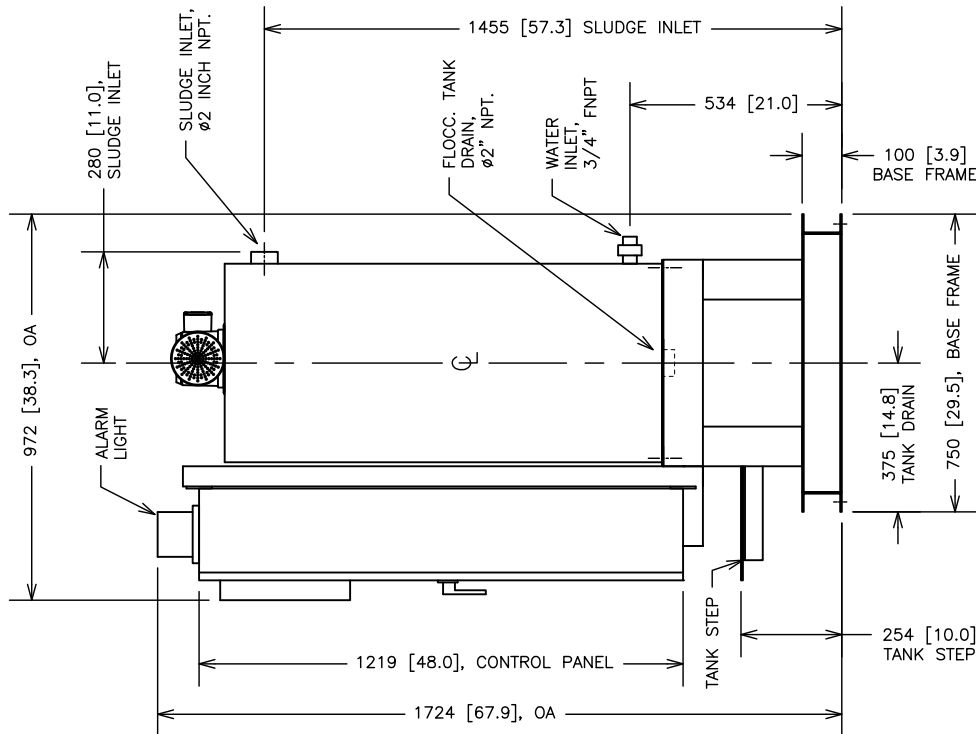


VOLUTE DEWATERING PRESS  
ES-301 GA  
PLAN

JOB# PWT VDP ES-301 GA	SCALE
DATE JAN. 2015	NTS
DRAWN PWTech Inc.	SHEET
APPROV. ALEX DAVEY	2 OF 4



PRESS END ELEVATION



TANK END ELEVATION

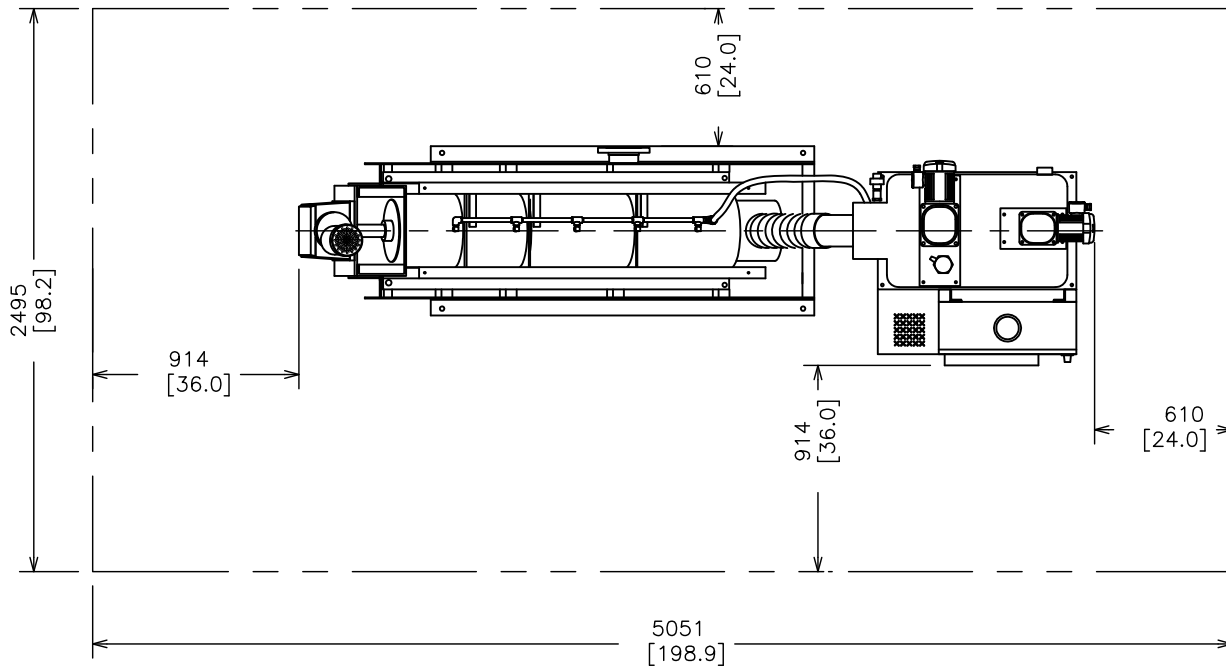
DIMENSIONS: MM [INCHES]



VOLUTE DEWATERING PRESS  
ES-301 GA  
PRESS AND TANK END ELEV.

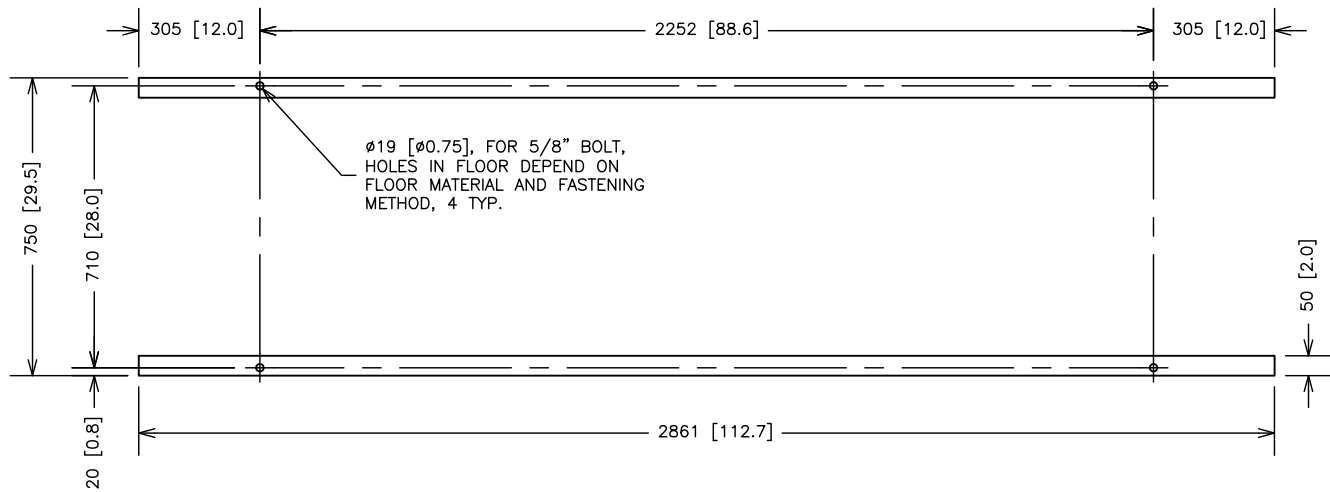
JOB# PWT VDP ES-301 GA	SCALE
DATE JAN. 2015	NTS
DRAWN PWTech Inc.	SHEET
APPROV. ALEX DAVEY	3 OF 4

\*\*ALL METAL COMPONENTS ARE STAINLESS STEEL



RECOMMENDED SPACE

\*\*ALL METAL COMPONENTS ARE STAINLESS STEEL



FOOTPRINT AND ANCHOR POINTS

DIMENSIONS: MM [INCHES]



**VOLUTE DEWATERING PRESS  
ES-301 GA  
ANCHOR PTS. & REC. SPACE**

JOB# PWT VDP ES-301 GA	SCALE
DATE JAN. 2015	NTS
DRAWN PWTech Inc.	SHEET
APPROV. ALEX DAVEY	4 OF 4