

**ALL METAL COMPONENTS ARE STAINLESS STEEL

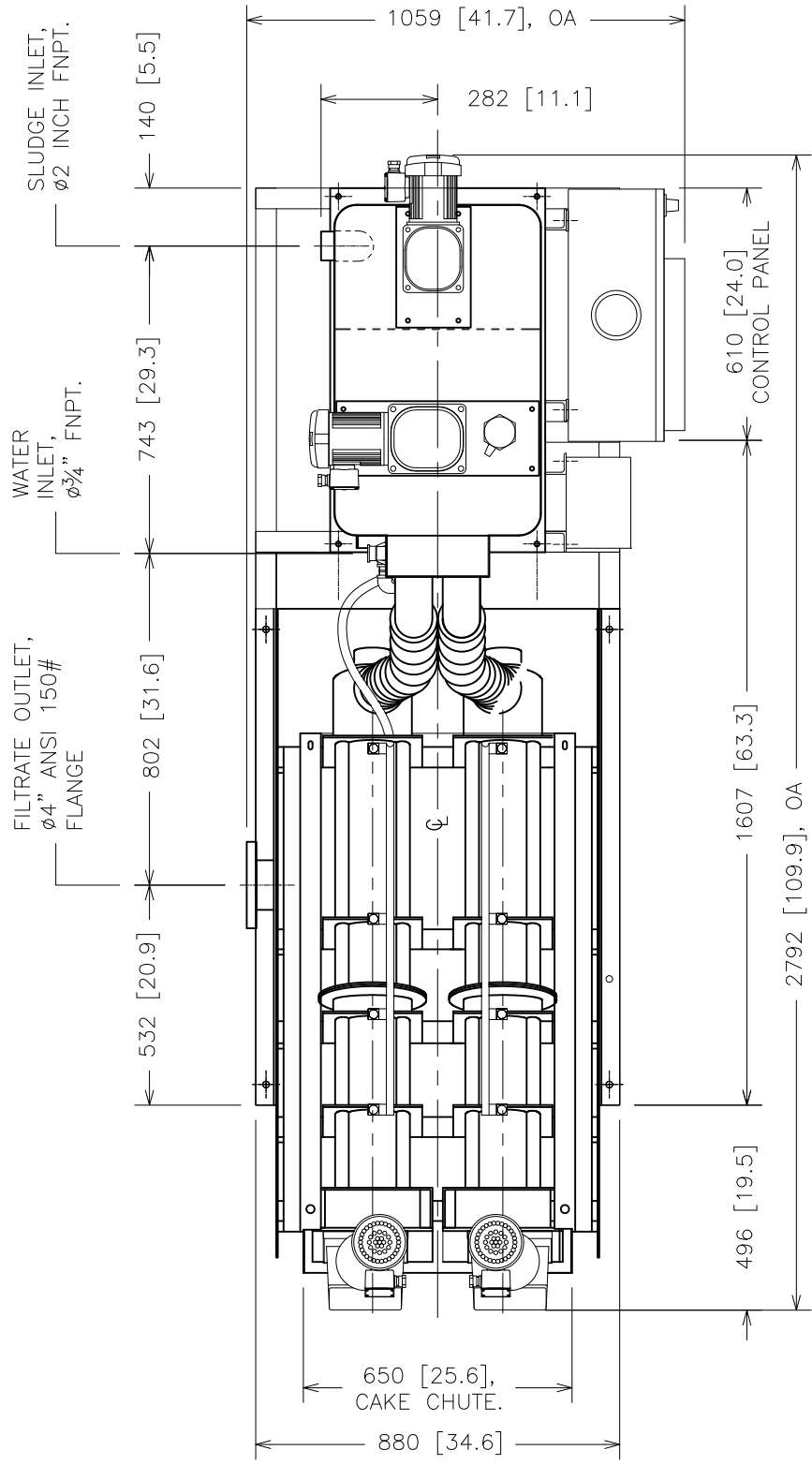
SIDE ELEVATION VIEW

DIMENSIONS: MM [INCHES]



**VOLUTE DEWATERING PRESS
ES202 GA
ELEVATION**

JOB# PWT VDP ES202 GA	SCALE
DATE JULY, 2017	NTS
DRAWN PWTech Inc.	SHEET
APPROV. ALEX DAVEY	1 OF 4



PLAN VIEW

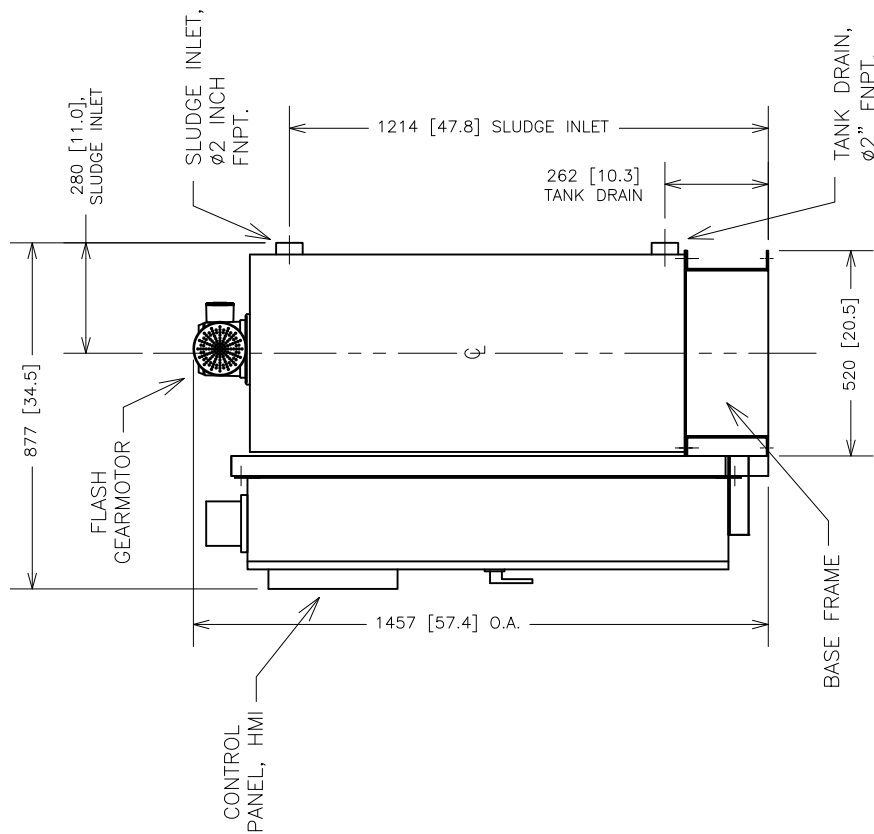
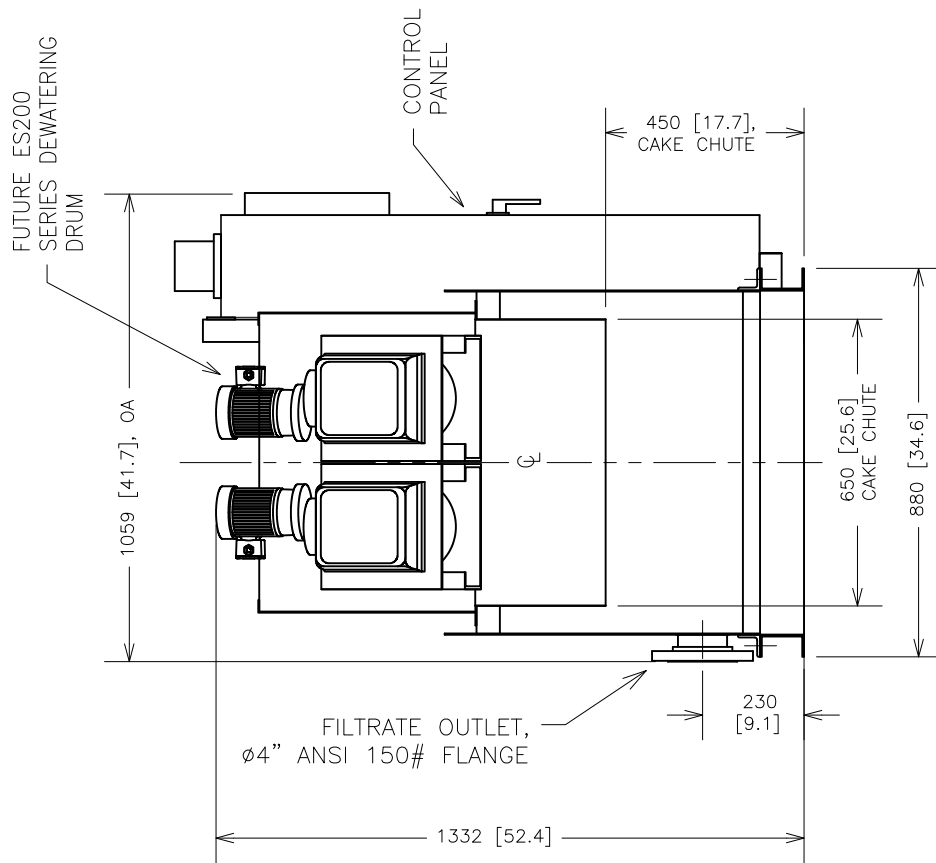
**ALL METAL COMPONENTS ARE STAINLESS STEEL

DIMENSIONS: MM [INCHES]



VOLUTE DEWATERING PRESS
ES202 GA
PLAN

JOB# PWT VDP ES202 GA	SCALE
DATE JULY, 2017	NTS
DRAWN PWTech Inc.	SHEET
APPROV. ALEX DAVEY	2 OF 4



DIMENSIONS: MM [INCHES]

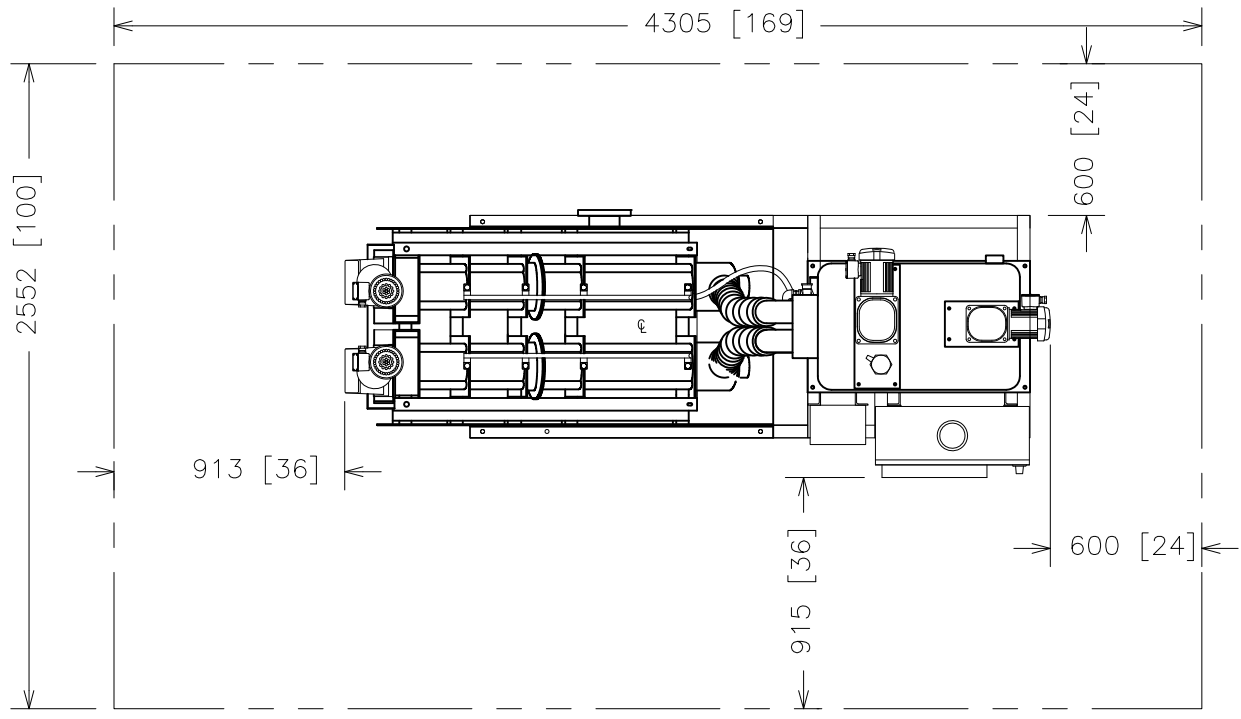
**ALL METAL COMPONENTS ARE STAINLESS STEEL



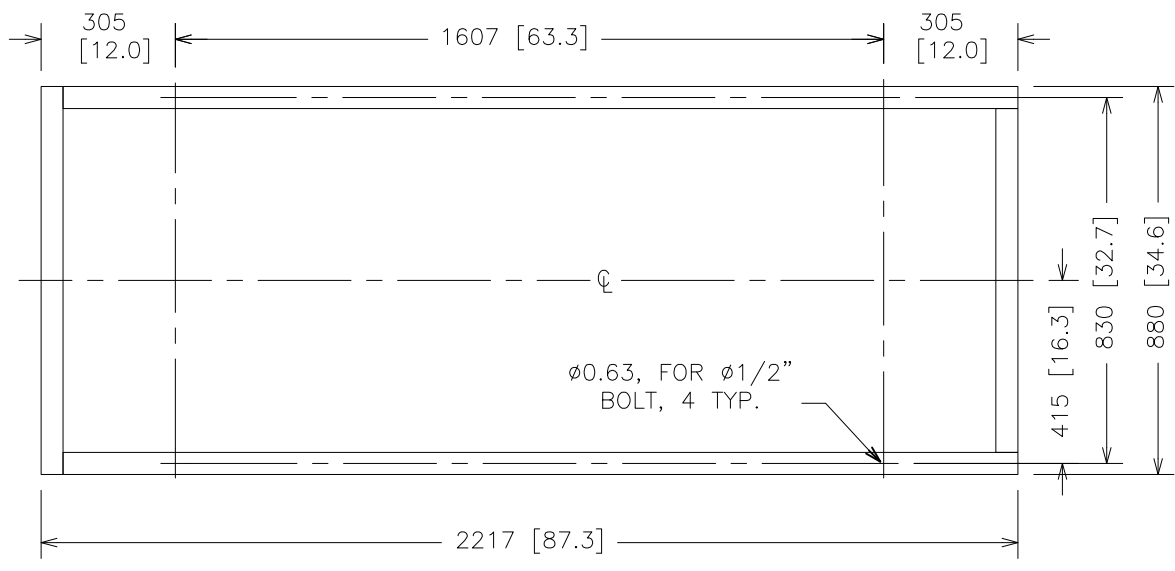
**VOLUTE DEWATERING PRESS
ES202 GA
END & REQ. MAINT. SPACE**

JOB# PWT VDP ES202 GA	SCALE
DATE JULY, 2017	NTS
DRAWN PWTech Inc.	SHEET
APPROV. ALEX DAVEY	3 OF 4

**ALL METAL COMPONENTS ARE STAINLESS STEEL



RECOMMENDED SPACE



FOOTPRINT AND ANCHOR POINTS

DIMENSIONS: MM [INCHES]



**VOLUTE DEWATERING PRESS
ES202 GA
END & REC. MAINT. SPACE**

JOB# PWT VDP ES202 GA	SCALE
DATE JULY, 2017	NTS
DRAWN PWTech Inc.	SHEET
APPROV. ALEX DAVEY	4 OF 4