

SIDE ELEVATION VIEW

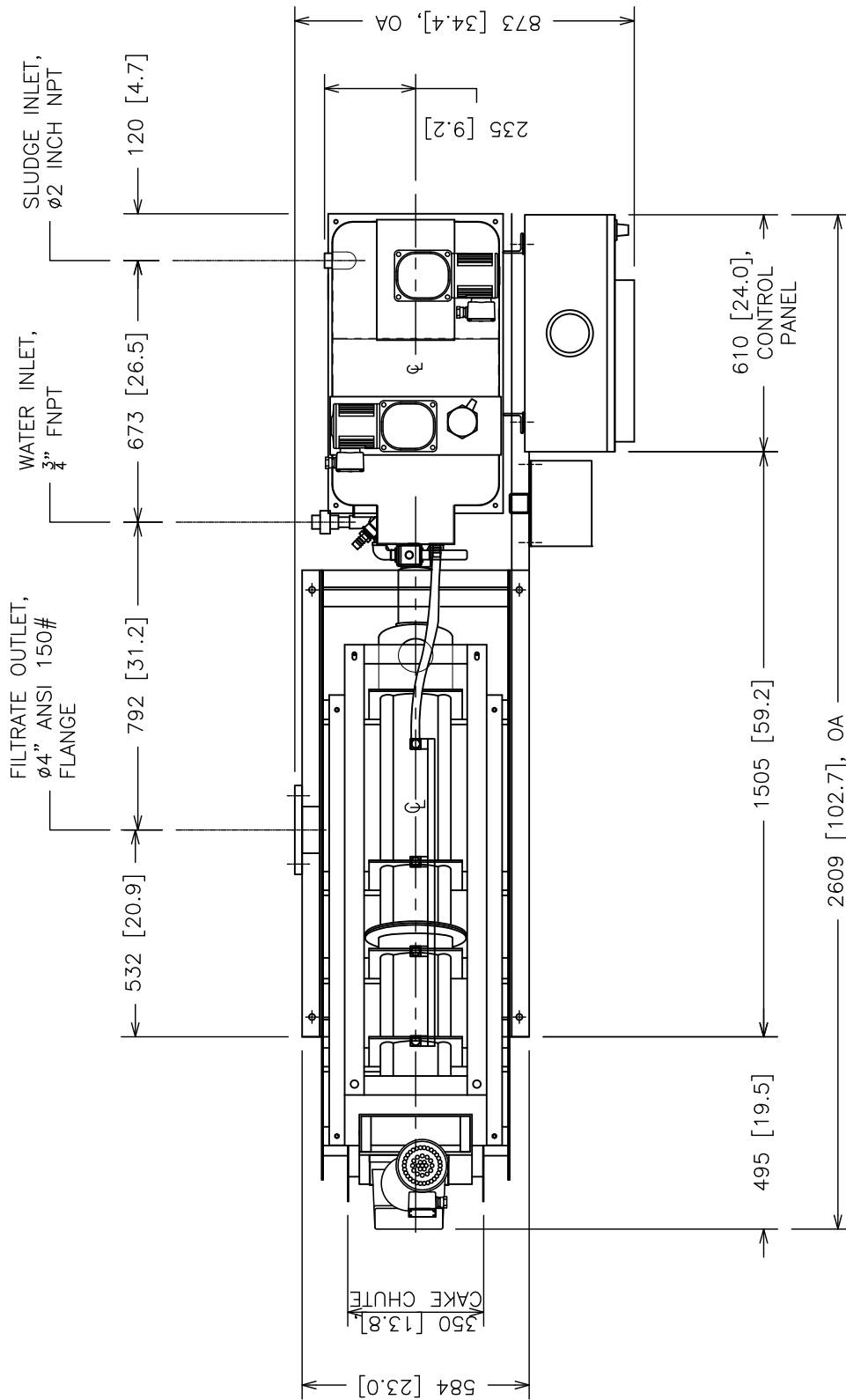
**ALL METAL COMPONENTS ARE STAINLESS STEEL

DIMENSIONS: MM [INCHES]



VOLUTE DEWATERING PRESS
ES201GA
SIDE ELEVATION

JOB# PWT VDP ES201 GA	SCALE
DATE 17 NOVEMBER 2015	NTS
DRAWN PWTech LLC.	SHEET
APPROV. ALEX DAVEY	1 OF 4



PLAN VIEW

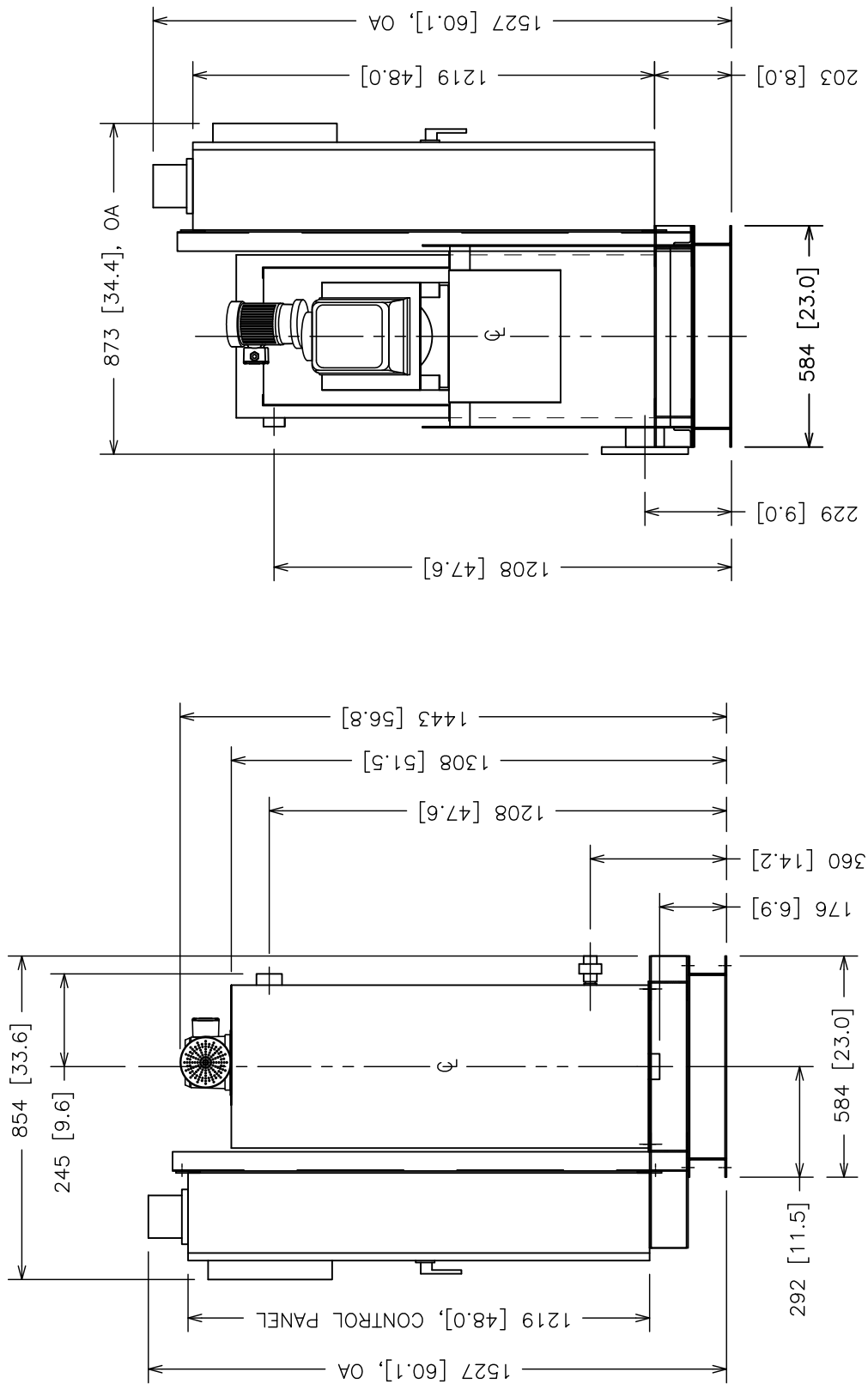
**ALL METAL COMPONENTS ARE STAINLESS STEEL

DIMENSIONS: MM [INCHES]



VOLUTE DEWATERING PRESS
ES201 GA
PLAN

JOB# PWT VDP ES201 GA	SCALE
DATE 17 NOVEMBER 2015	NTS
DRAWN PWTech LLC.	SHEET
APPROV. ALEX DAVEY	2 OF 4



PRESS END ELEVATION

TANK END ELEVATION

DIMENSIONS: MM [INCHES]

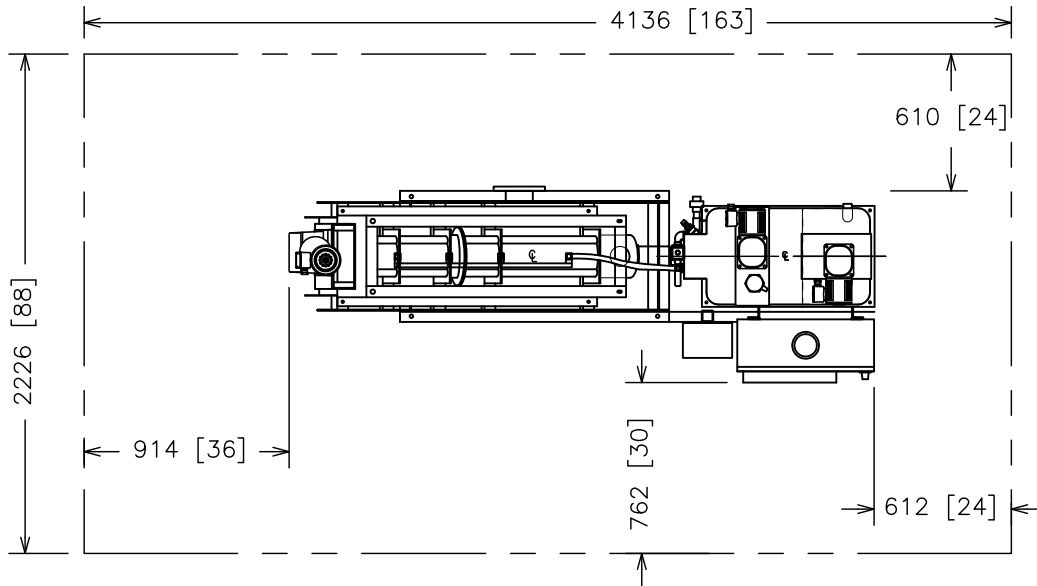
**ALL METAL COMPONENTS ARE STAINLESS STEEL



**VOLUTE DEWATERING PRESS
ES201 GA
END & REQ. MAINT. SPACE**

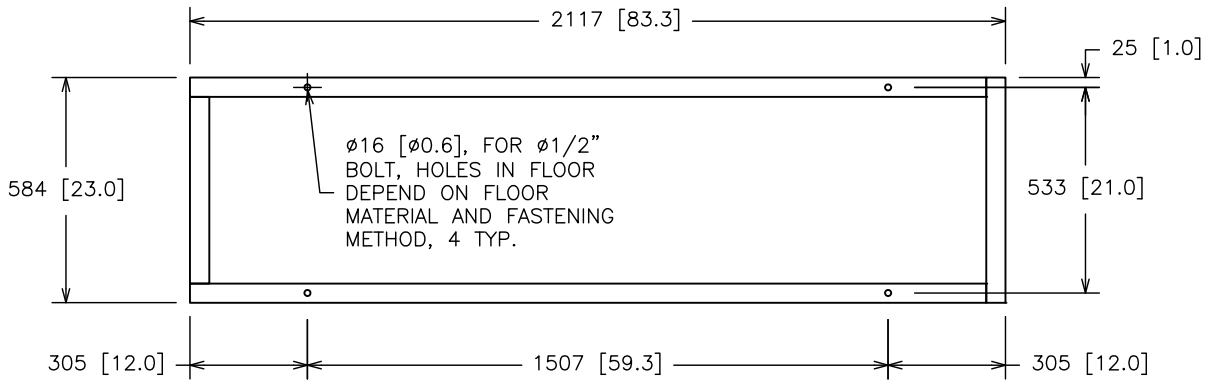
JOB#	PWT VDP ES201 GA
DATE	17 NOVEMBER 2015
DRAWN	PWTech LLC.
APPROV.	ALEX DAVEY

SCALE	NTS
SHEET	3 OF 4



RECOMMENDED SPACE

**ALL METAL COMPONENTS ARE STAINLESS STEEL



FOOTPRINT AND ANCHOR POINTS

DIMENSIONS: MM [INCHES]



VOLUTE DEWATERING PRESS
 ES201 GA
 END & REC. MAINT. SPACE

JOB# PWT VDP ES201 GA	SCALE
DATE 17 NOVEMBER 2015	NTS
DRAWN PWTech LLC.	SHEET
APPROV. ALEX DAVEY	4 OF 4