

ELEVATION VIEW

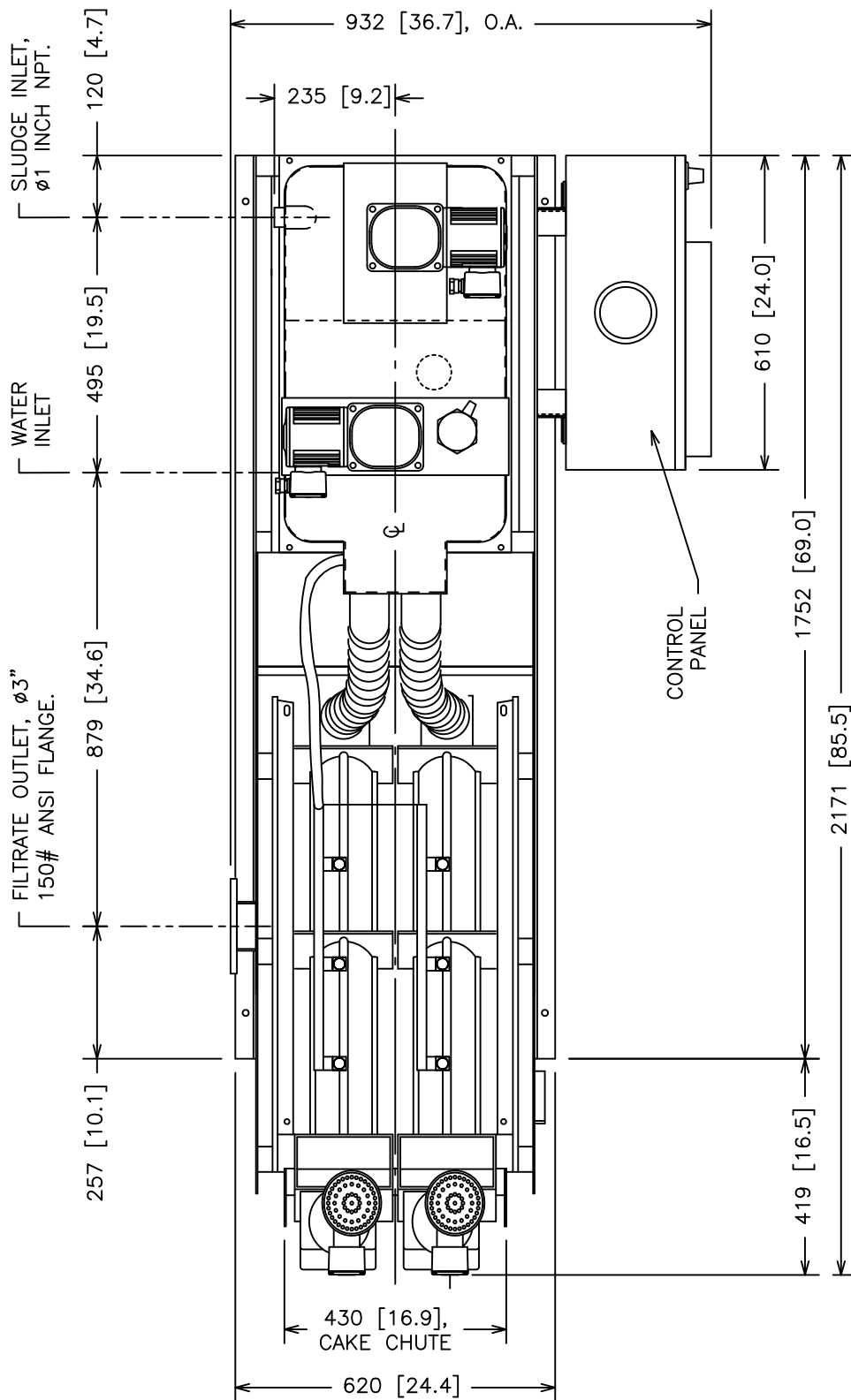
**ALL METAL COMPONENTS ARE STAINLESS STEEL

DIMENSIONS: MM [INCHES]



VOLUTE DEWATERING PRESS
ES132 GA
ELEVATION

JOB# PWT VDP ES132 GA	SCALE
DATE 17 NOVEMBER, 2015	NTS
DRAWN PWTech Inc.	SHEET
APPROV. ALEX DAVEY	1 OF 4



PLAN VIEW

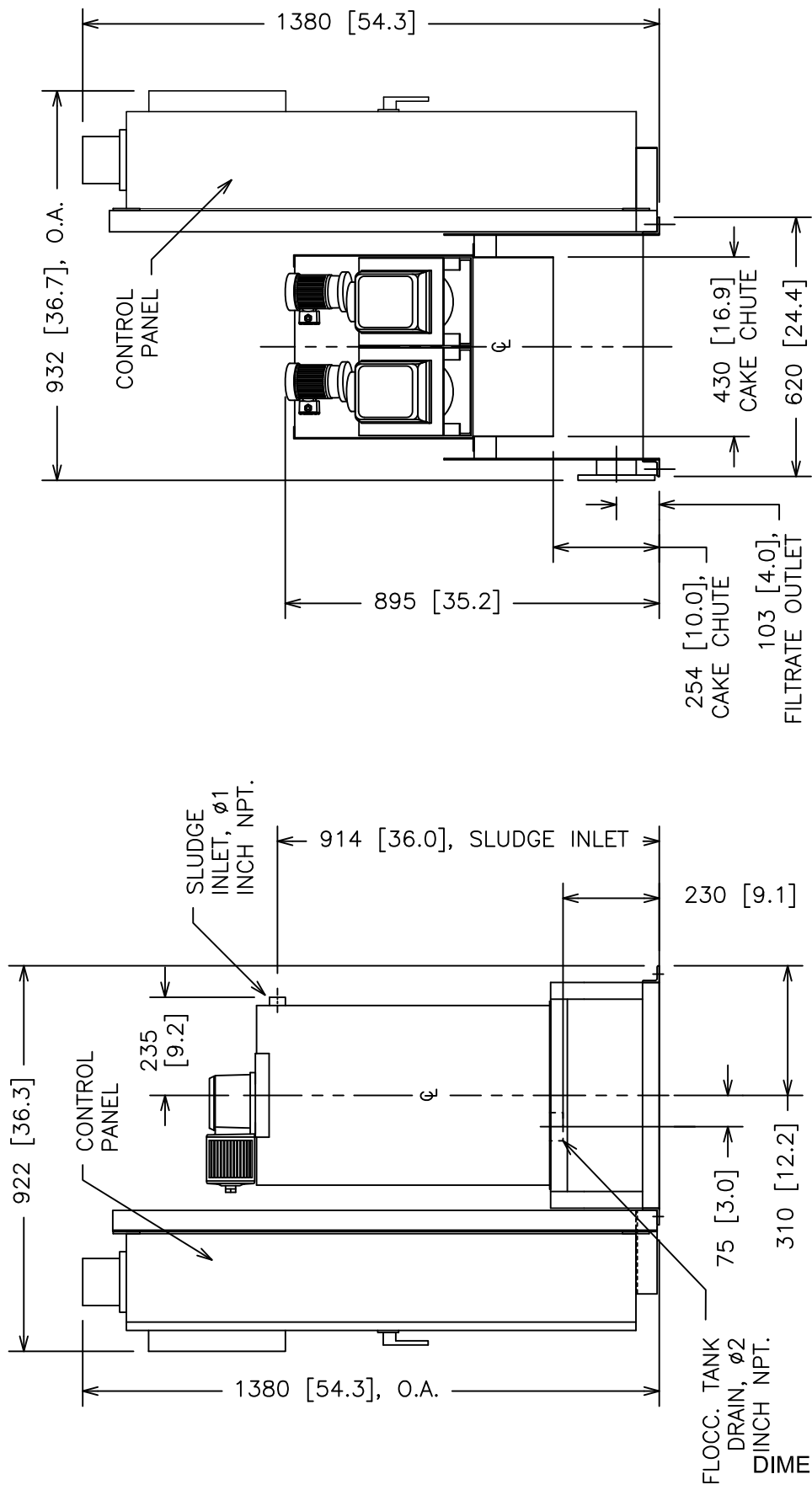
**ALL METAL COMPONENTS ARE STAINLESS STEEL

DIMENSIONS: MM [INCHES]



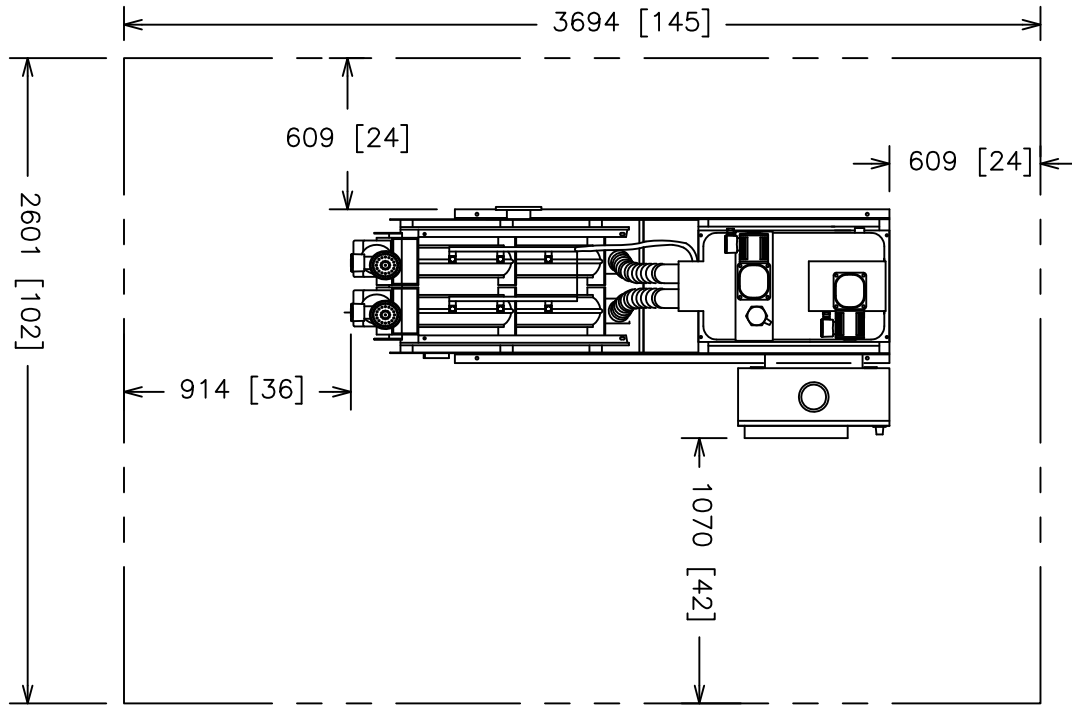
VOLUTE DEWATERING PRESS
ES132 GA
PLAN VIEW

JOB# PWT VDP ES132 GA	SCALE
DATE 17 NOVEMBER, 2015	NTS
DRAWN PWTech Inc.	SHEET
APPROV. ALEX DAVEY	2 OF 4



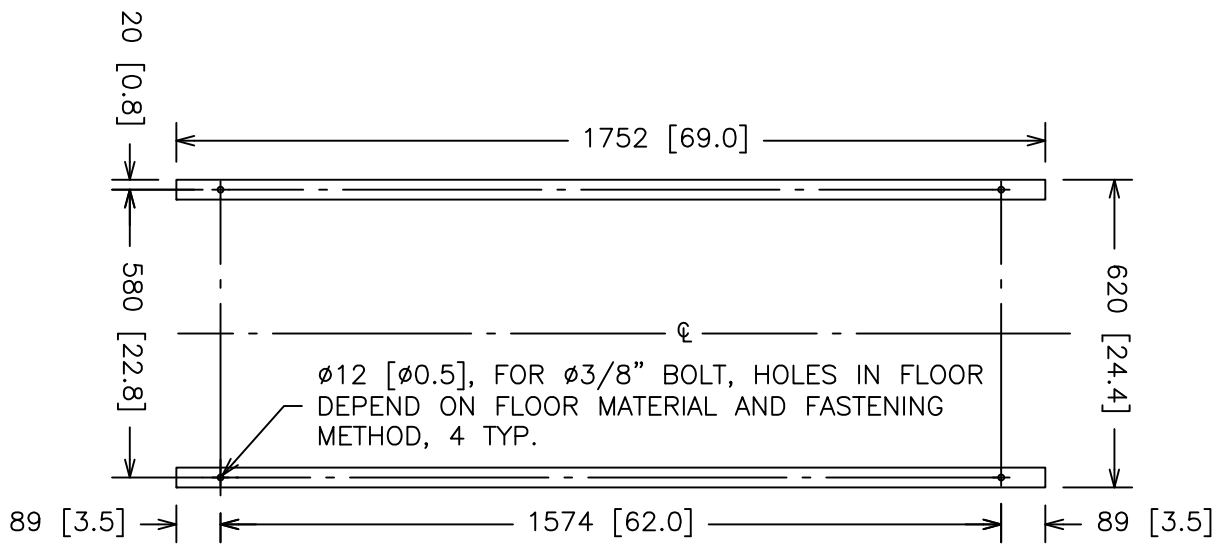
**VOLUTE DEWATERING PRESS
ES132 GA
TANK & PRESS END ELEV.**

JOB# PWT VDP ES132 GA	SCALE
DATE 17 NOVEMBER, 2015	NTS
DRAWN PWTech Inc.	SHEET
APPROV. ALEX DAVEY	3 OF 4



RECOMMENDED SPACE

**ALL METAL COMPONENTS ARE STAINLESS STEEL



FOOTPRINT AND ANCHOR POINTS

DIMENSIONS: MM [INCHES]



**VOLUTE DEWATERING PRESS
ES132 GA
ANCHOR PTS. & REC. SPACE**

JOB# PWT VDP ES132 GA

DATE 17 NOVEMBER, 2015

DRAWN PWTech Inc.

APPROV. ALEX DAVEY

SCALE

NTS

SHEET

4 OF 4