

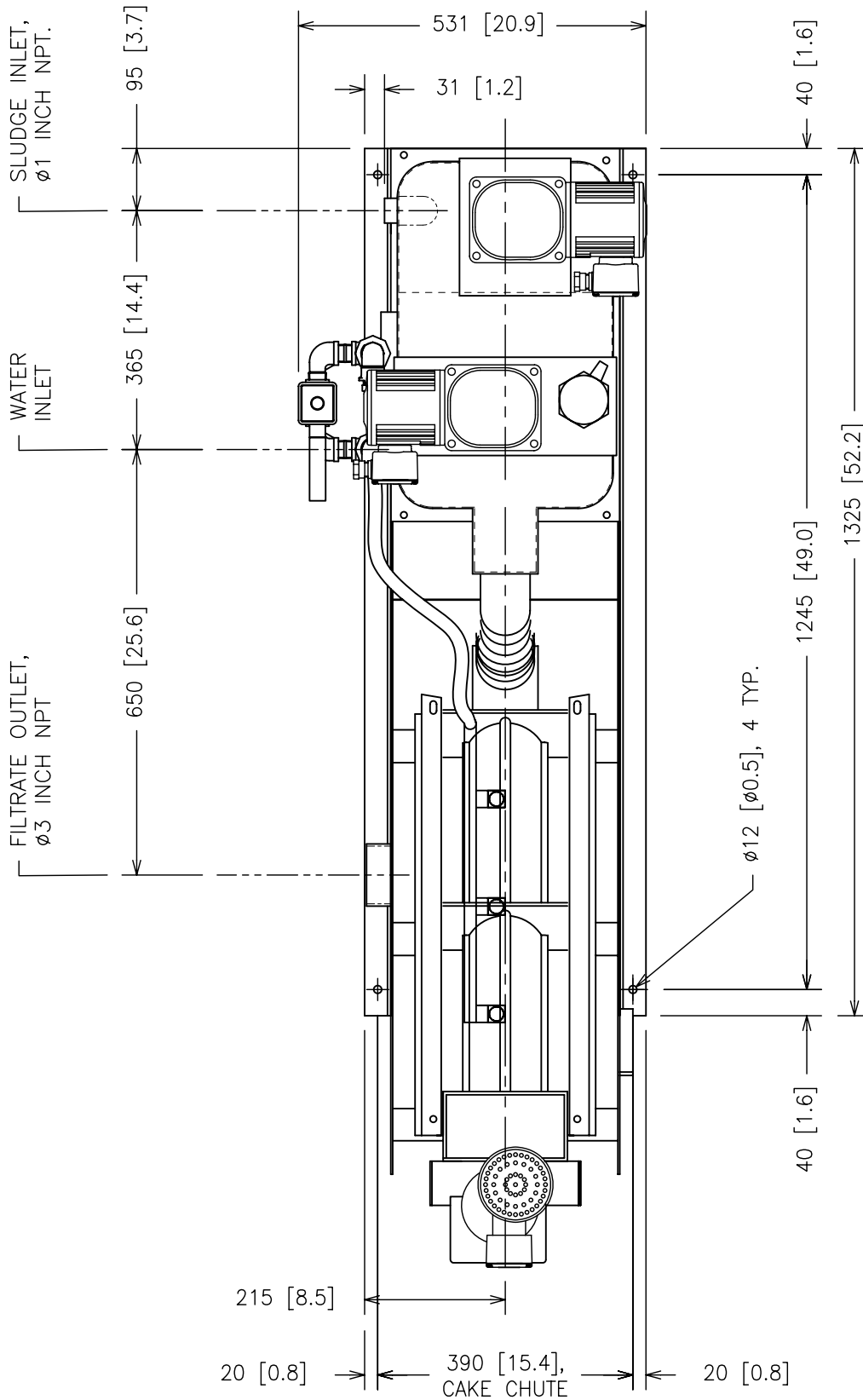
SIDE ELEVATION

DIMENSIONS: MM [INCHES]



**VOLUTE DEWATERING PRESS
ES-101 GA
ELEVATION**

JOB# PWT VDP ES-101 GA	SCALE
DATE 30 OCT 2008	NTS
DRAWN PWTech Inc.	SHEET
APPROV. ALEX DAVEY	1 OF 3

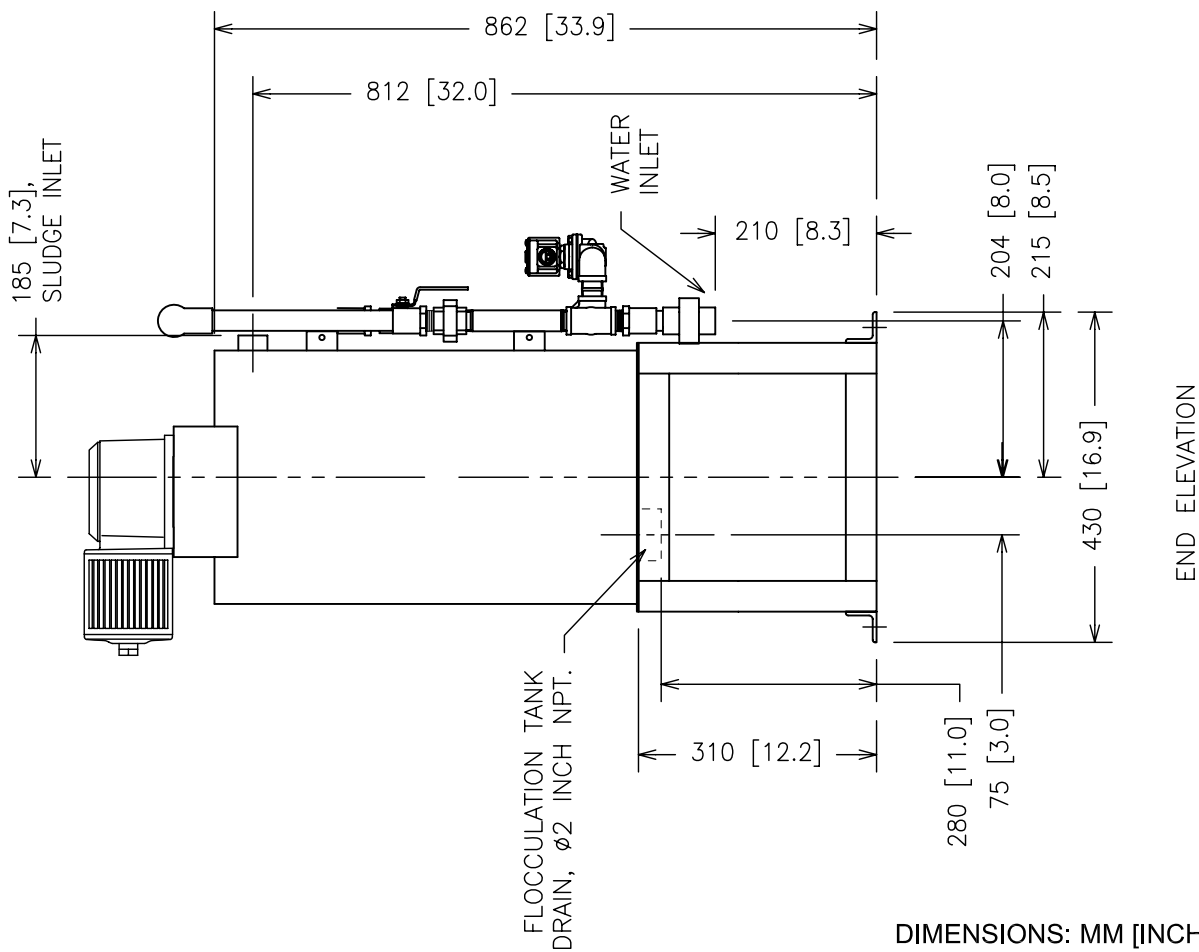
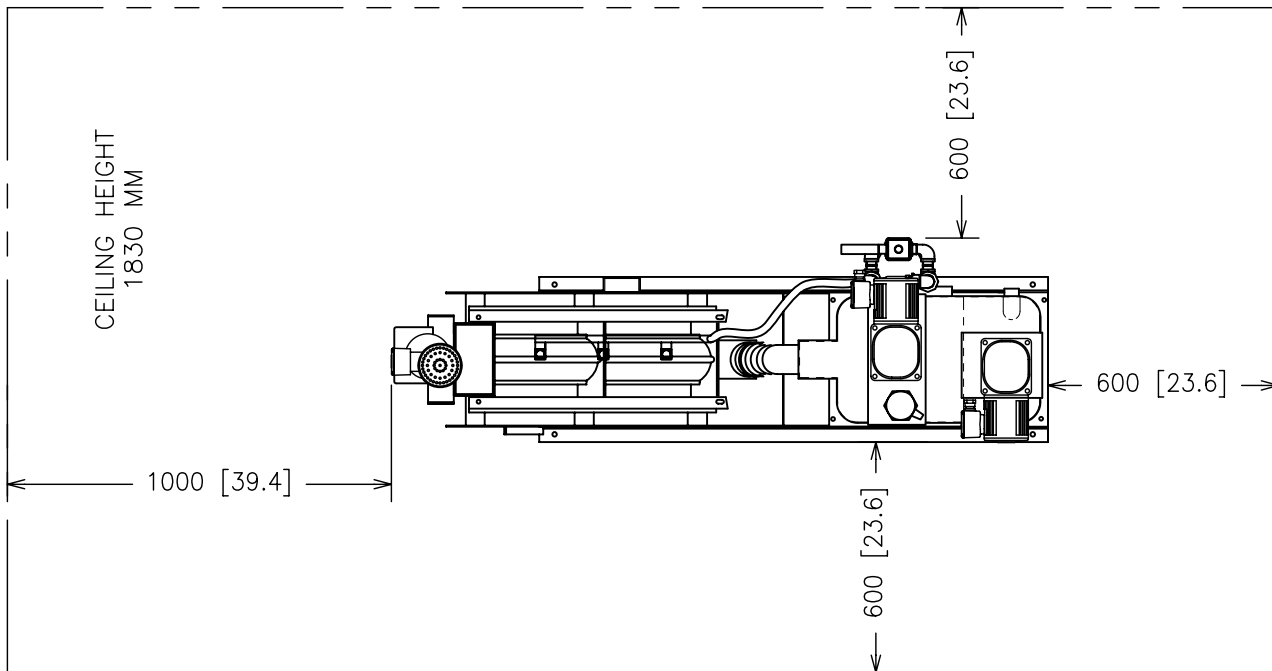


DIMENSIONS: MM [INCHES]



VOLUTE DEWATERING PRESS
ES-101 GA
PLAN

JOB# PWT VDP ES-101 GA	SCALE
DATE 30 OCT 2008	NTS
DRAWN PWTech Inc.	SHEET
APPROV. ALEX DAVEY	2 OF 3



**VOLUTE DEWATERING PRESS
ES-101 GA
END & REQ. MAINT. SPACE**

JOB# PWT VDP ES-101 GA	SCALE
DATE 30 OCT 2008	NTS
DRAWN PWTech Inc.	SHEET
APPROV. ALEX DAVEY	3 OF 3