

SIDE ELEVATION

DIMENSIONS: MM [INCHES]



VOLUTE DEWATERING PRESS
ES-303 GA
ELEVATION

JOB# PWT VDP ES-303 GA

DATE 30 OCT 2008

DRAWN PWTech Inc.

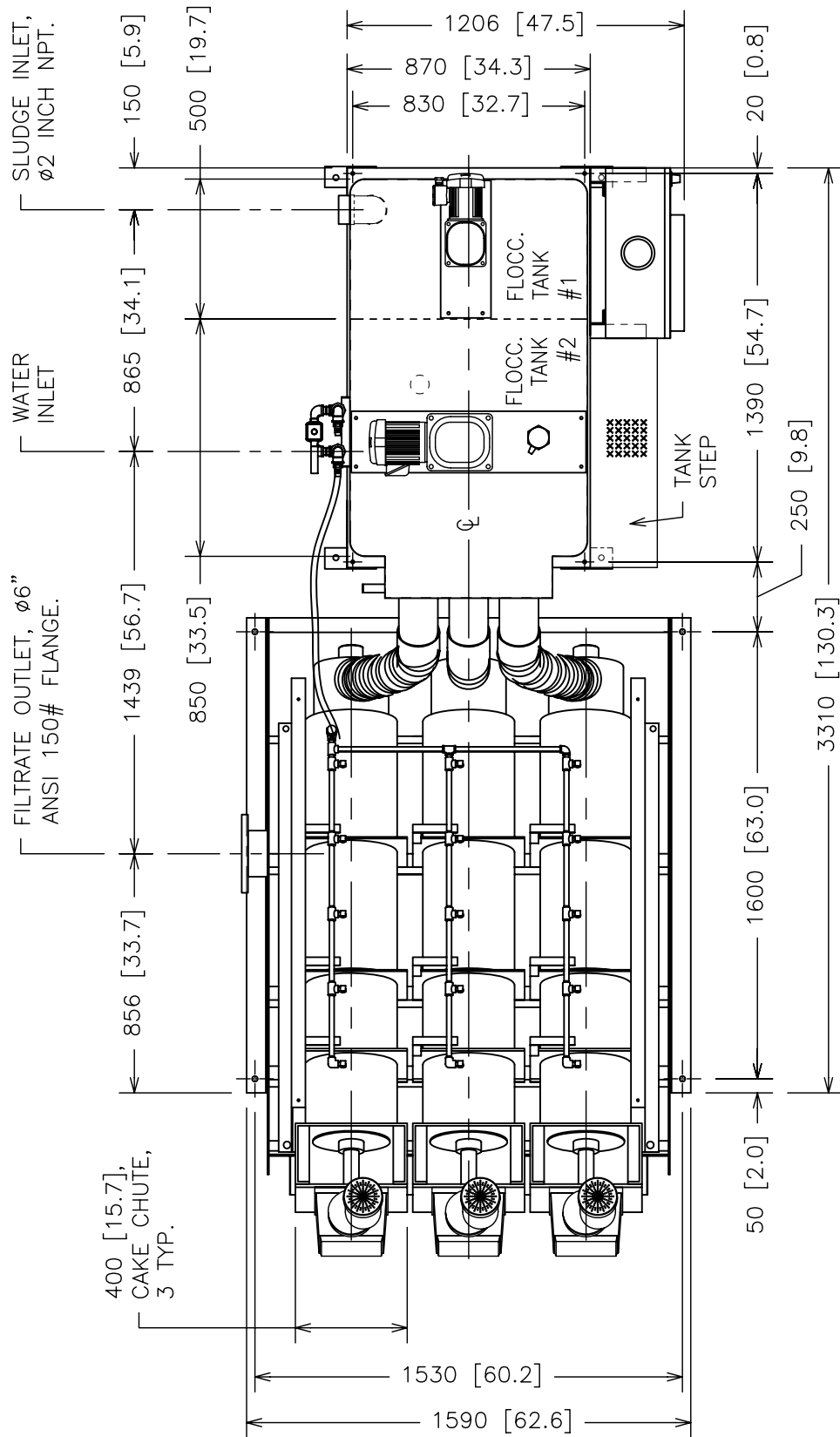
APPROV. ALEX DAVEY

SCALE

NTS

SHEET

1 OF 3



PLAN VIEW

DIMENSIONS: MM [INCHES]



VOLUTE DEWATERING PRESS
ES-303 GA
PLAN

JOB# PWT VDP ES-303 GA

DATE 30 OCT 2008

DRAWN PWTech Inc.

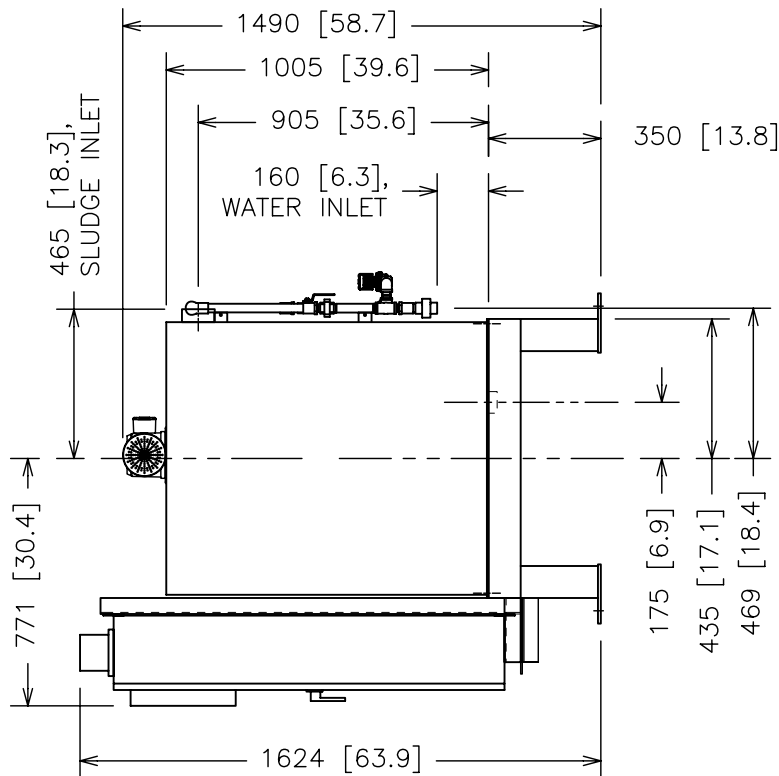
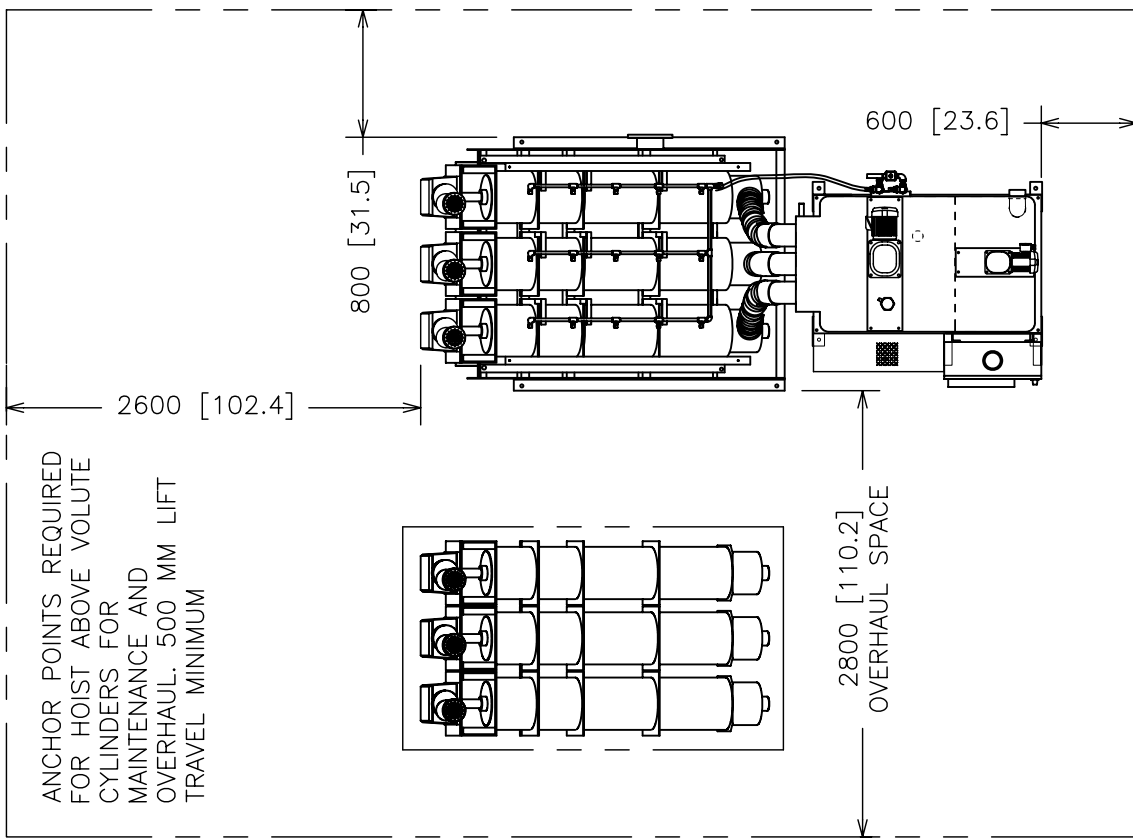
APPROV. ALEX DAVEY

SCALE

NTS

SHEET

2 OF 3



DIMENSIONS: MM [INCHES]



**VOLUTE DEWATERING PRESS
ES-303 GA
END & REQ. MAINT. SPACE**

JOB# PWT VDP ES-303 GA	SCALE
DATE 30 OCT 2008	NTS
DRAWN PWTech Inc.	SHEET
APPROV. ALEX DAVEY	3 OF 3