

SIDE ELEVATION

DIMENSIONS: MM [INCHES]



VOLUTE DEWATERING PRESS  
ES-302 GA  
ELEVATION

JOB# PWT VDP ES-302 GA

DATE 30 OCT 2008

DRAWN PWTech Inc.

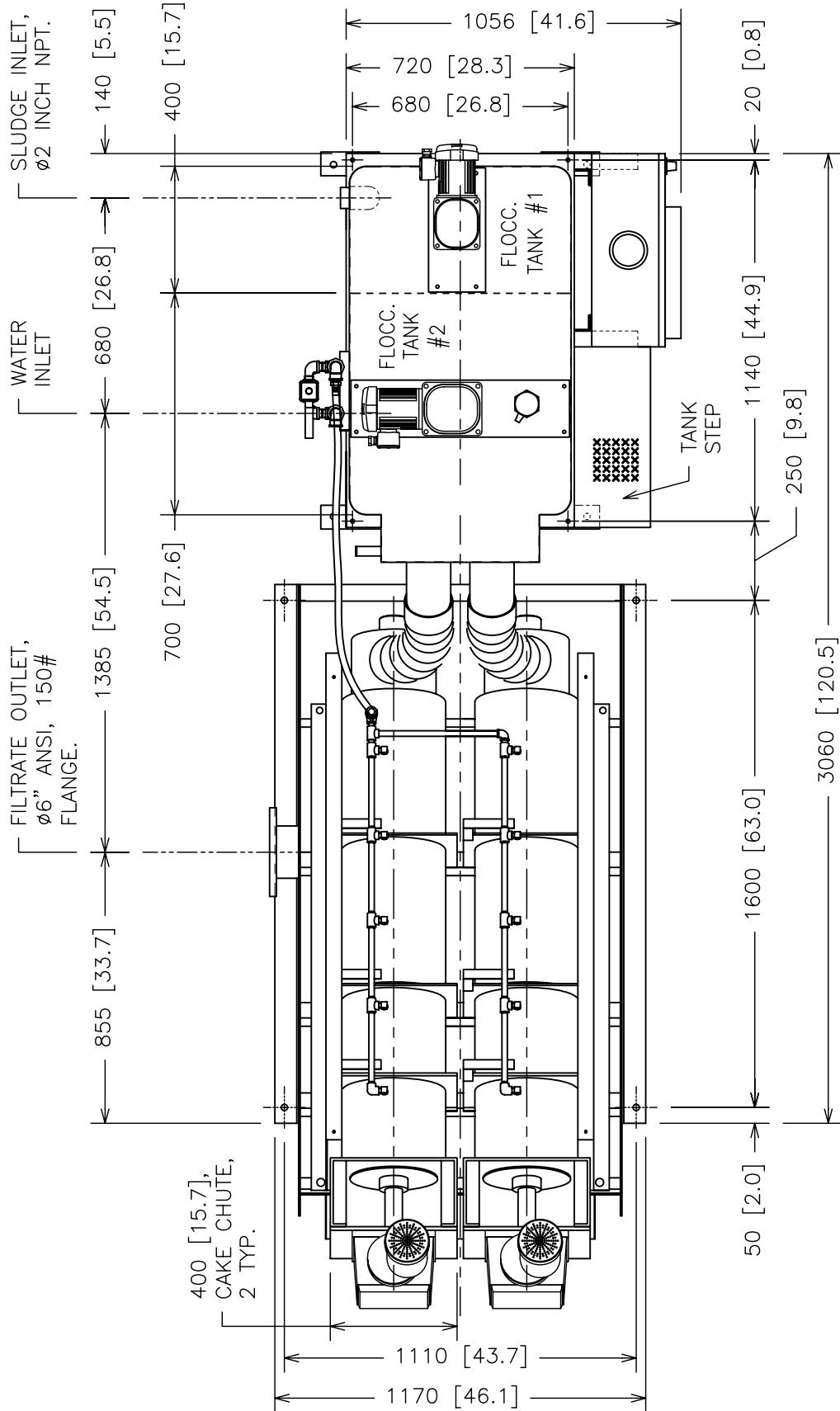
APPROV. ALEX DAVEY

SCALE

NTS

SHEET

1 OF 3



DIMENSIONS: MM [INCHES]

PLAN VIEW



**VOLUTE DEWATERING PRESS**  
**ES-302 GA**  
**PLAN**

JOB# PWT VDP ES-302 GA

DATE 30 OCT 2008

DRAWN PWTech Inc.

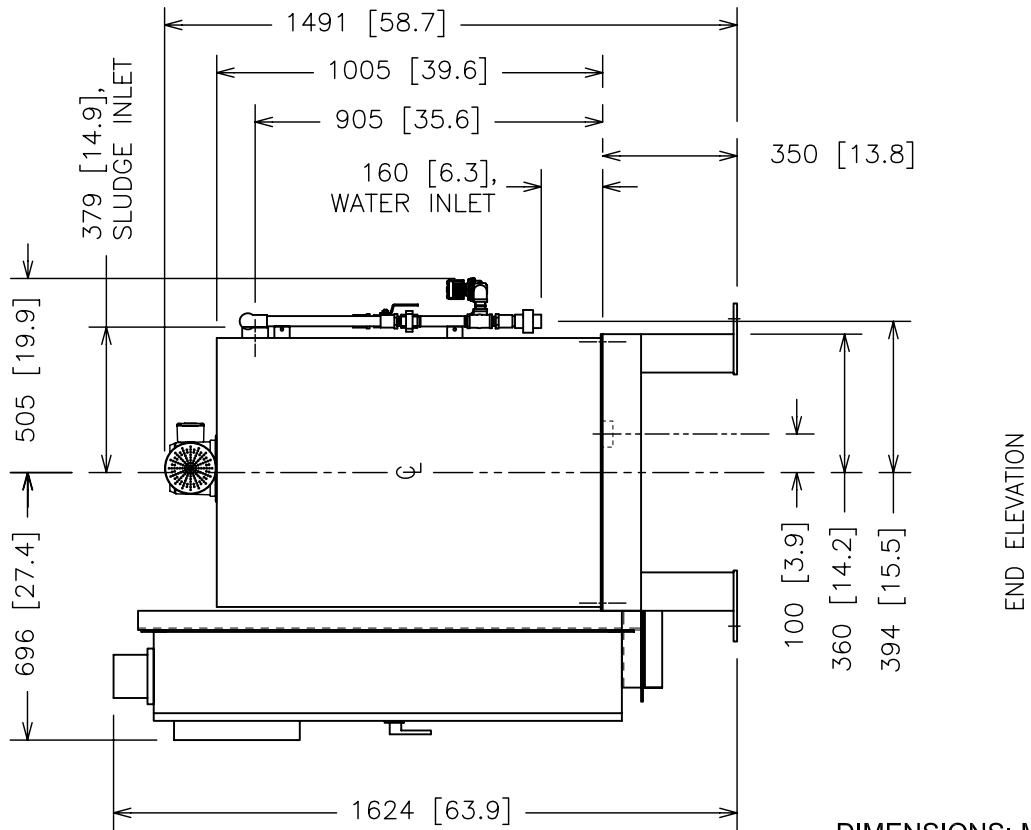
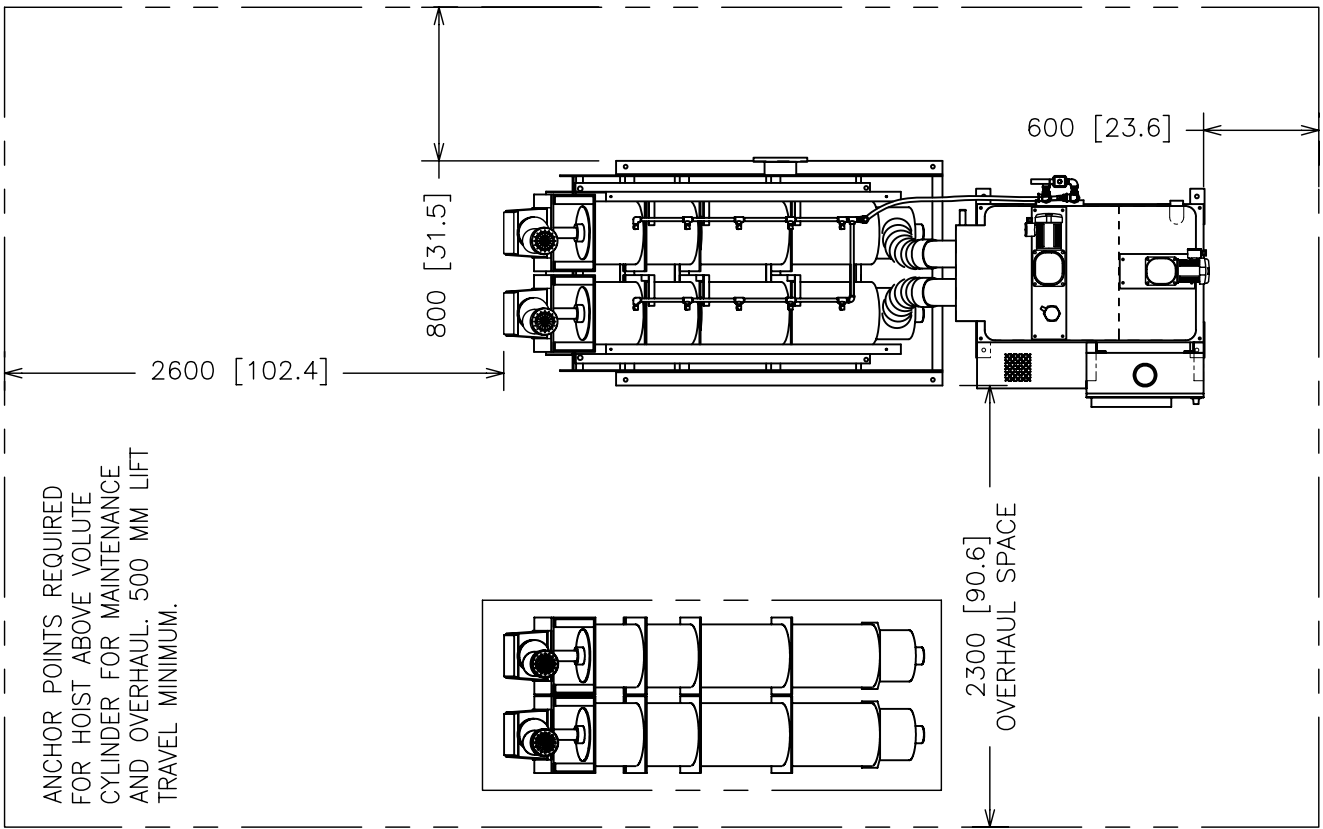
APPROV. ALEX DAVEY

SCALE

NTS

SHEET

2 OF 3



DIMENSIONS: MM [INCHES]



**VOLUTE DEWATERING PRESS  
ES-302 GA  
END & REQ. MAINT. SPACE**

JOB#	PWT VDP ES-302 GA
DATE	30 OCT 2008
DRAWN	PWTech Inc.
APPROV.	ALEX DAVEY

SCALE	NTS
SHEET	3 OF 3