

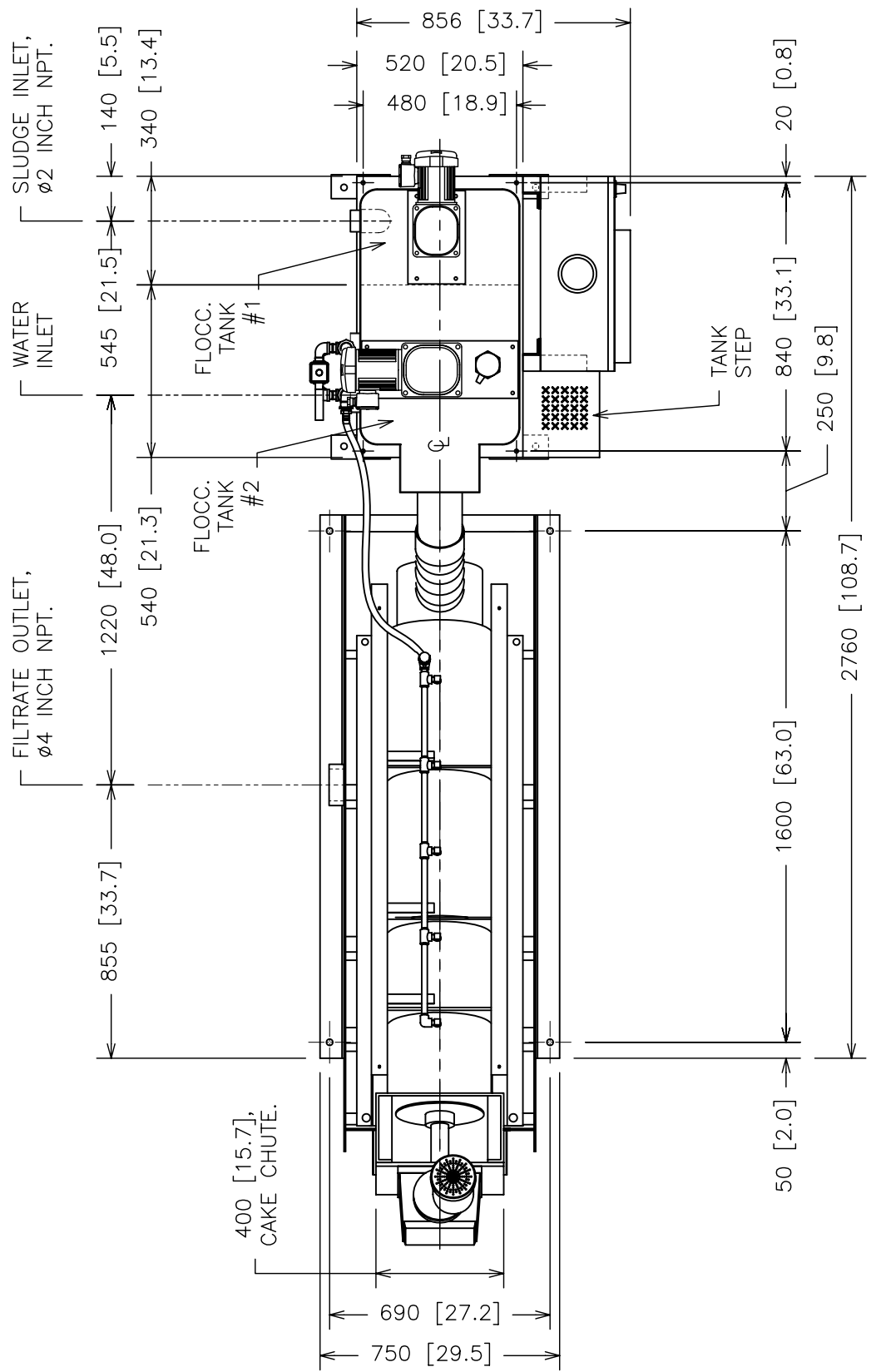
SIDE ELEVATION

DIMENSIONS: MM [INCHES]



VOLUTE DEWATERING PRESS  
ES-301 GA  
ELEVATION

JOB# PWT VDP ES-301 GA	SCALE
DATE 30 OCT 2008	NTS
DRAWN PWTech Inc.	SHEET
APPROV. ALEX DAVEY	1 OF 3



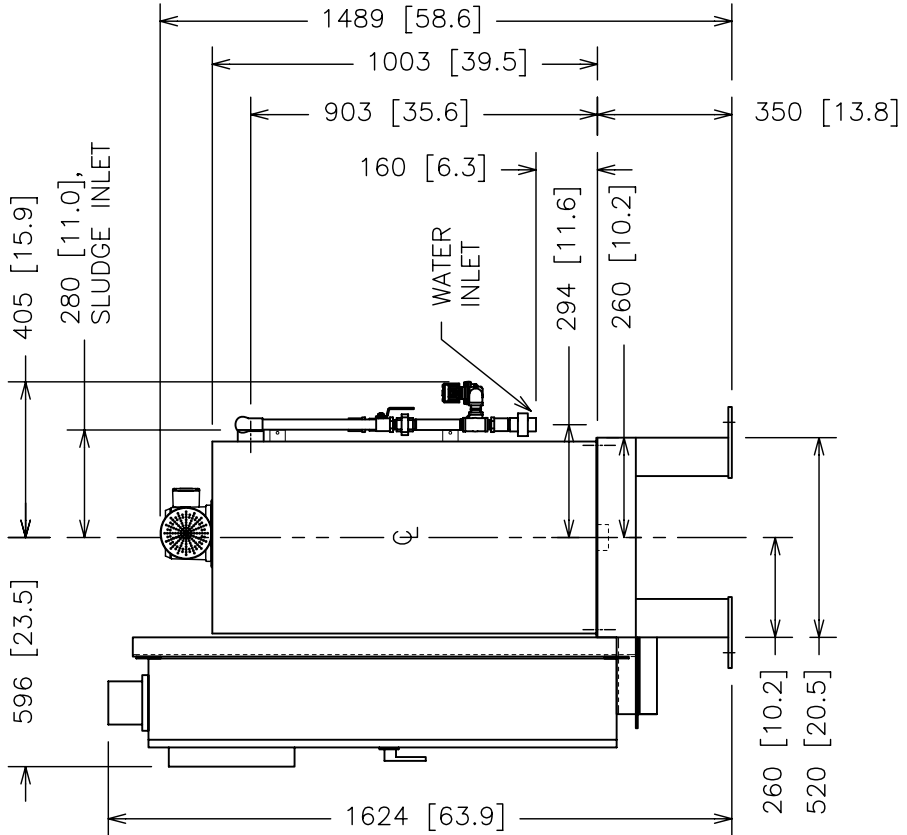
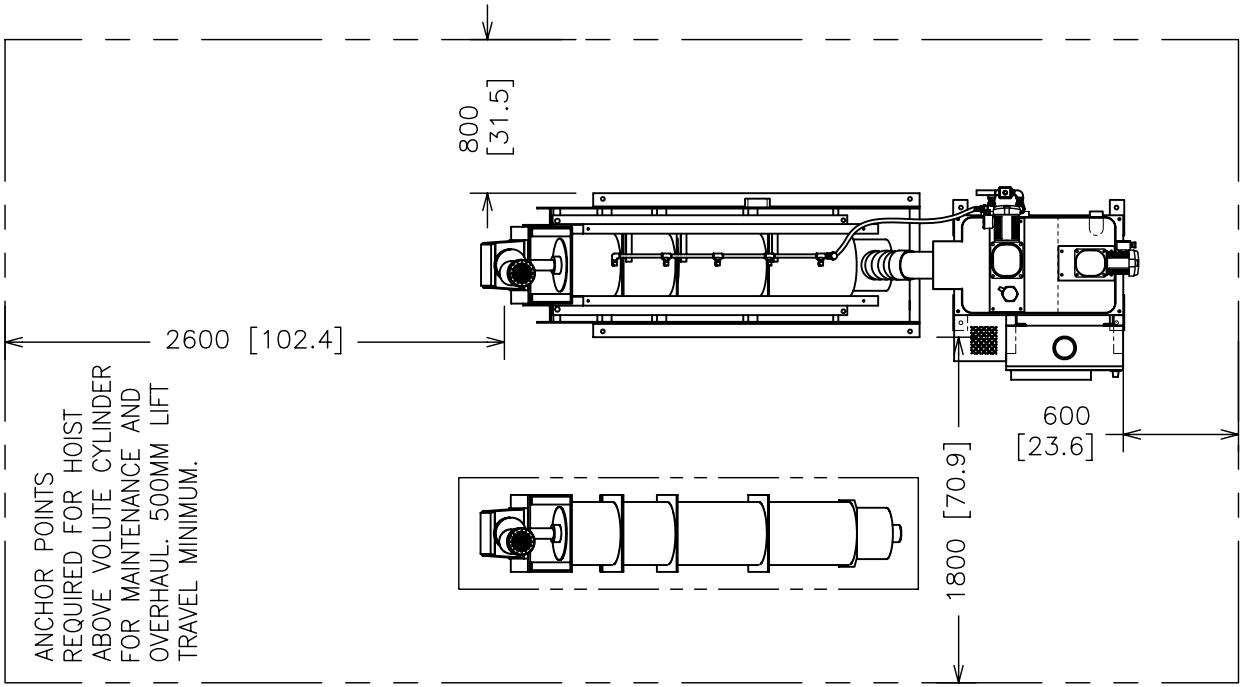
PLAN VIEW

DIMENSIONS: MM [INCHES]



VOLUTE DEWATERING PRESS  
ES-301 GA  
PLAN

JOB# PWT VDP ES-301 GA	SCALE
DATE 30 OCT 2008	NTS
DRAWN PWTech Inc.	SHEET
APPROV. ALEX DAVEY	2 OF 3



DIMENSIONS: MM [INCHES]



**VOLUTE DEWATERING PRESS**  
**ES-301 GA**  
**END & REQ. MAINT. SPACE**

JOB# PWT VDP ES-301 GA	SCALE
DATE 30 OCT 2008	NTS
DRAWN PWTech Inc.	SHEET
APPROV. ALEX DAVEY	3 OF 3